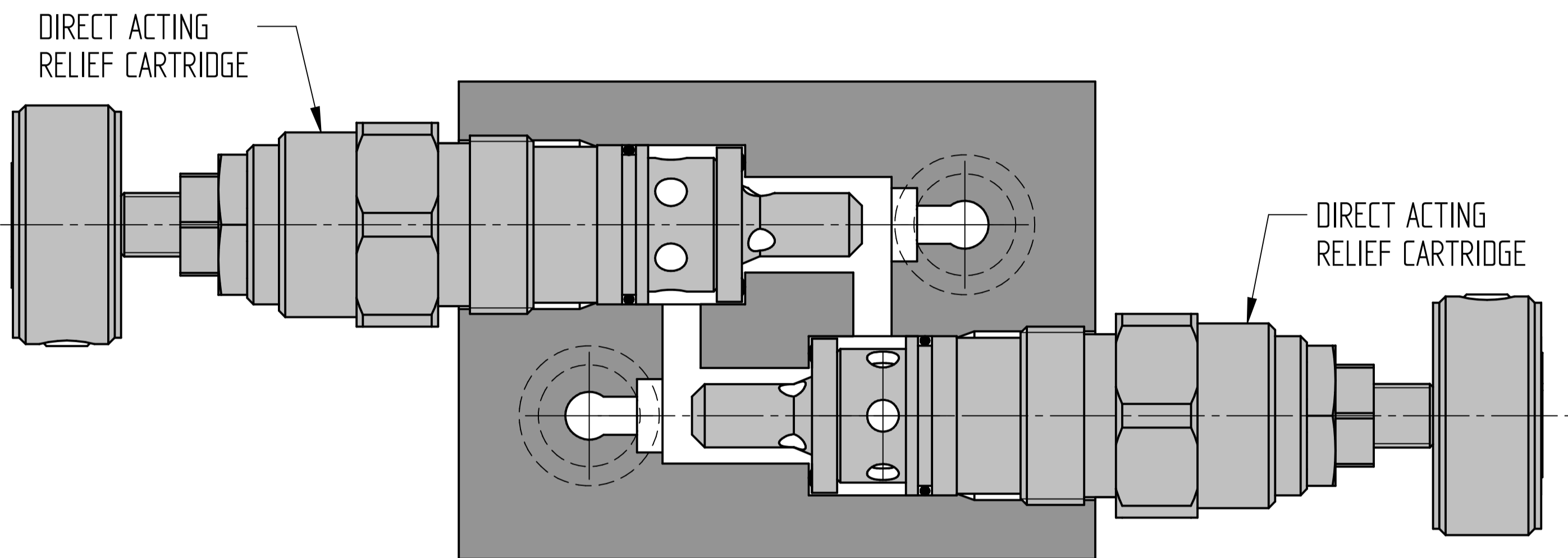
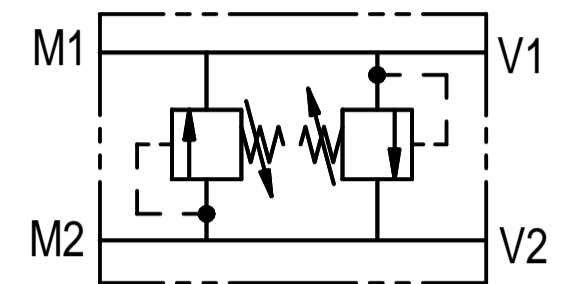


DUAL RELIEF VALVE

FLUID POWER SYMBOL



Application

The DDR06 valve is used to provide pressure relief and to protect Directional Valves and actuators from shock or surge pressures induced by changes in direction or sudden stops which create excessive load conditions. With closed centre DCVs it also prevents cavitation.

Operation

The cross line direct acting relief valves exhaust the oil from one line to another when the pressure exceeds the spring force in either of the valves. Line M1-V1 is relieved into line M2-V2 and vice versa using the two valves. The valve should mount as close to the actuator as possible.

Features

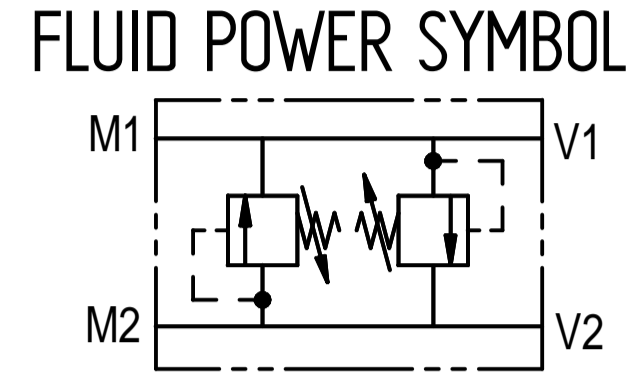
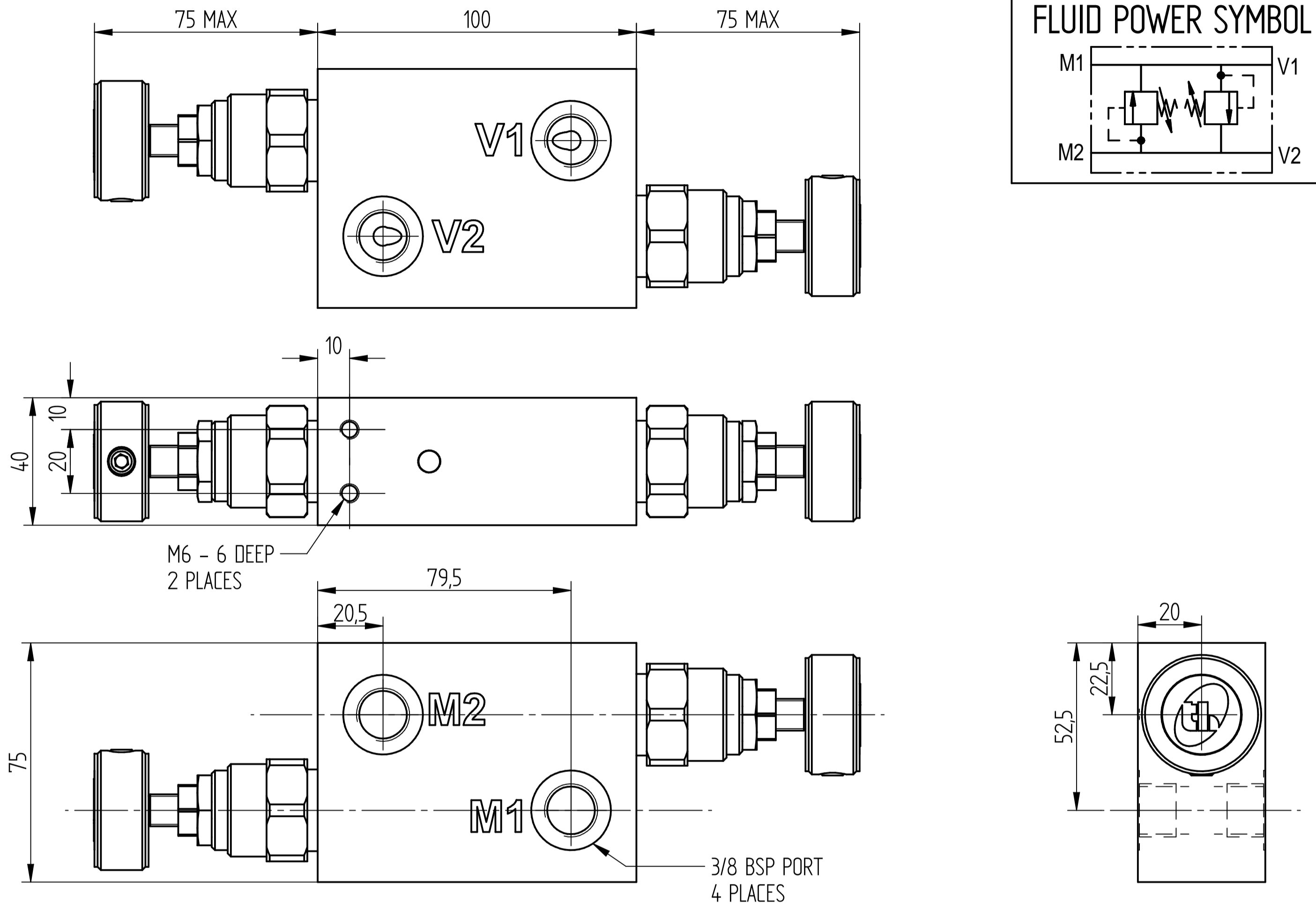
Hardened and ground working parts give long, trouble-free life. Consistent stable operation is achieved providing low pressure over ride with increasing flow.

Specifications

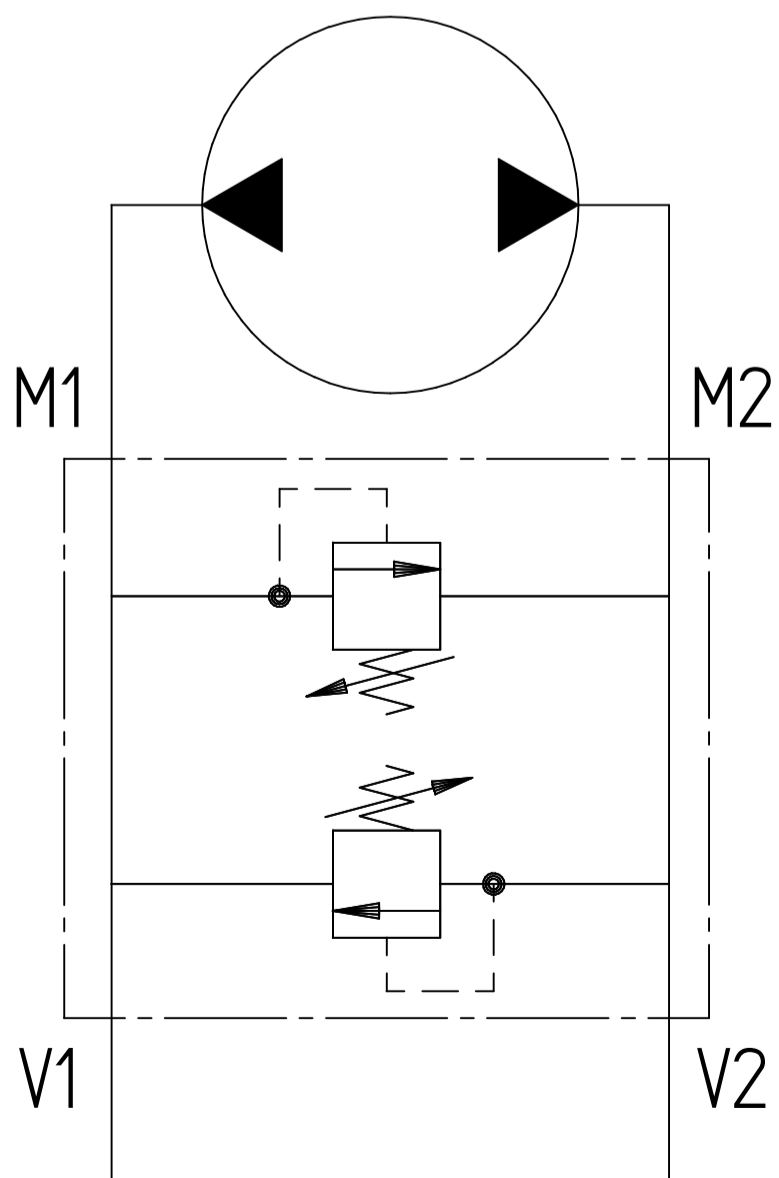
Figures based on: Oil Temp = 40°C Viscosity = 40 cSt

Rated Flow	30 litres/min
Max Setting	350 bar
Manifold Material	Aluminium (upto 250 bar) Cast Iron (above 250 bar)
Mounting	Unrestricted
Weight	DDR06 - 1.8 Kg
Seal Kit Number	SKDDR06 (Nitrile) SKDDR06V (Viton)
Filtration	BS5540/4 Class 18/13 (25µ nominal)
Operating Temp	-20°C to +90°C (Standard Seals)
Leakage	Less than 0.3 millilitres/min (5 dpm)
Viscosity Range	5 to 500 cSt

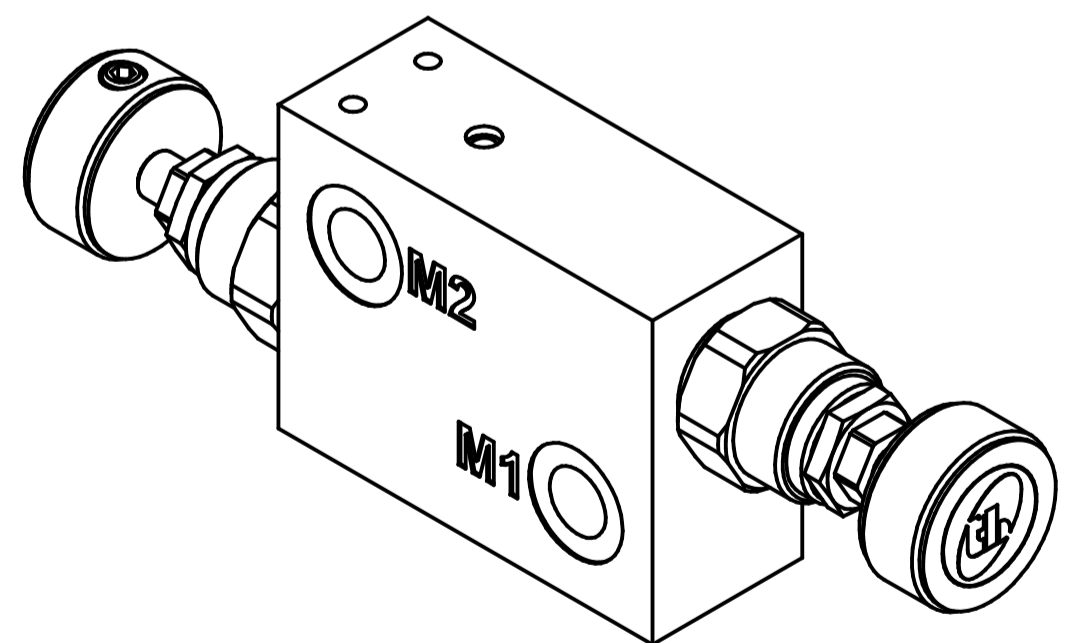
DUAL RELIEF VALVE



Typical Application



Cross port dual relief for breaking motor momentum



DDR06 P 3W 20

BASIC CODE ————
 ADJUSTMENT ————
 K: KNOB
 PORT SIZE ————
 3W: 3/8 BSP PORTS

PRESSURE RANGE
 05: 05-50 bar
 10: 10-100 bar
 20: 20-200 bar
 30: 30-350 bar