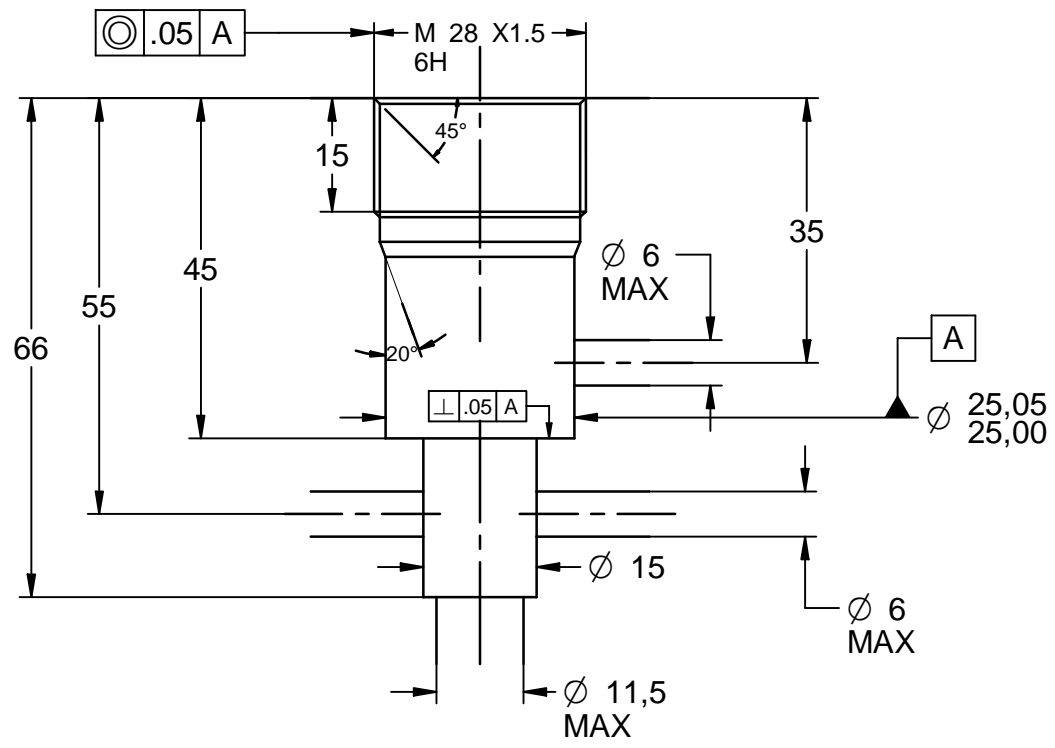
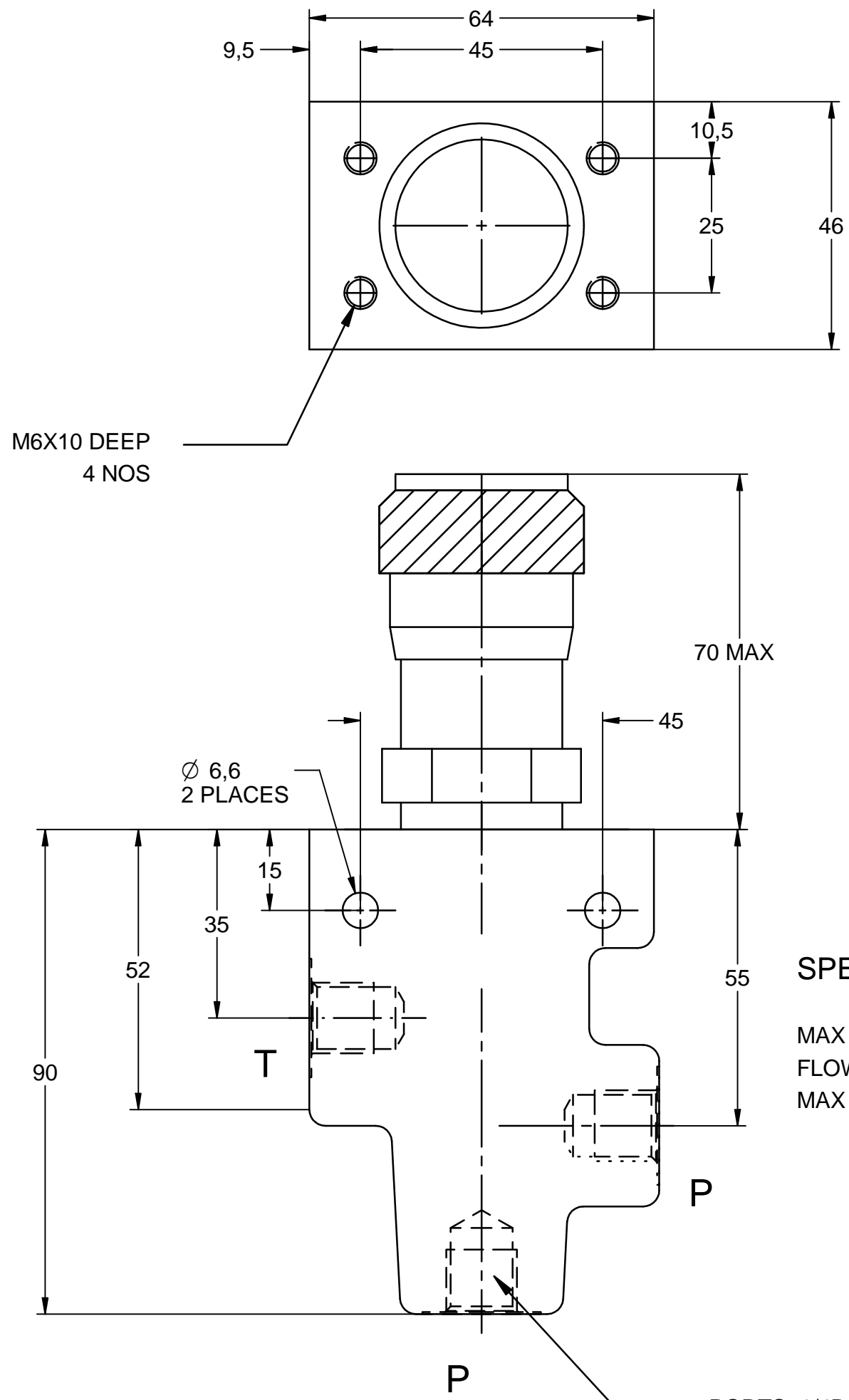


### CARTRIDGE CAVITY CDR06



### FORM REAMER FR051

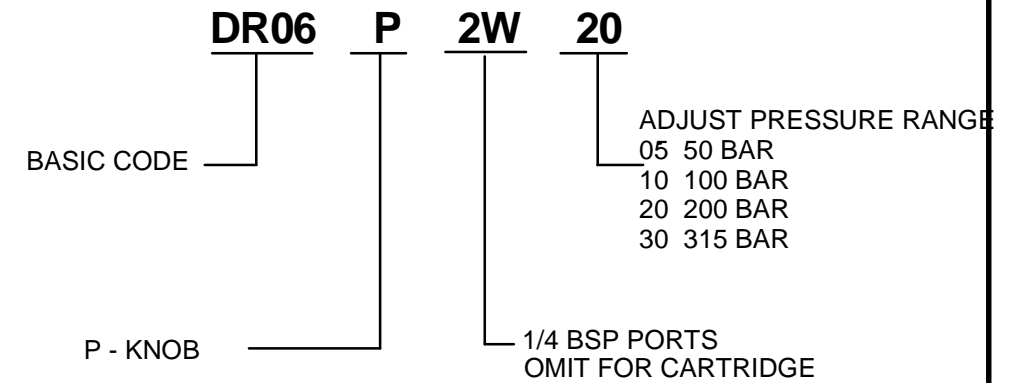


M6X10 DEEP  
4 NOS

### SPECIFICATION

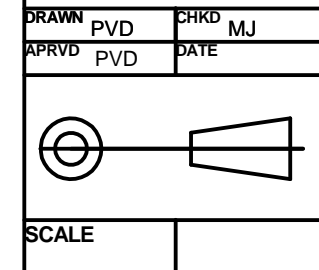
MAX PRESSURE 315 BAR  
 FLOW CAPACITY NOMINAL 20 LPM  
 MAX TEMPERATURE 80°C

### Model Code



VALVE WEIGHT 1.4 KG CARTRIDGE WEIGHT 0.45 KG

**Tucson Hydrocontrols**  
 C1B 246/5 GIDC Estate, Umbergaon  
 Gujarat 39 6171



DATA SHEET  
 DR06 2W

DATA SHEET NO 010 100

PORTS 1/4BSP  
 PER A7693

TS004