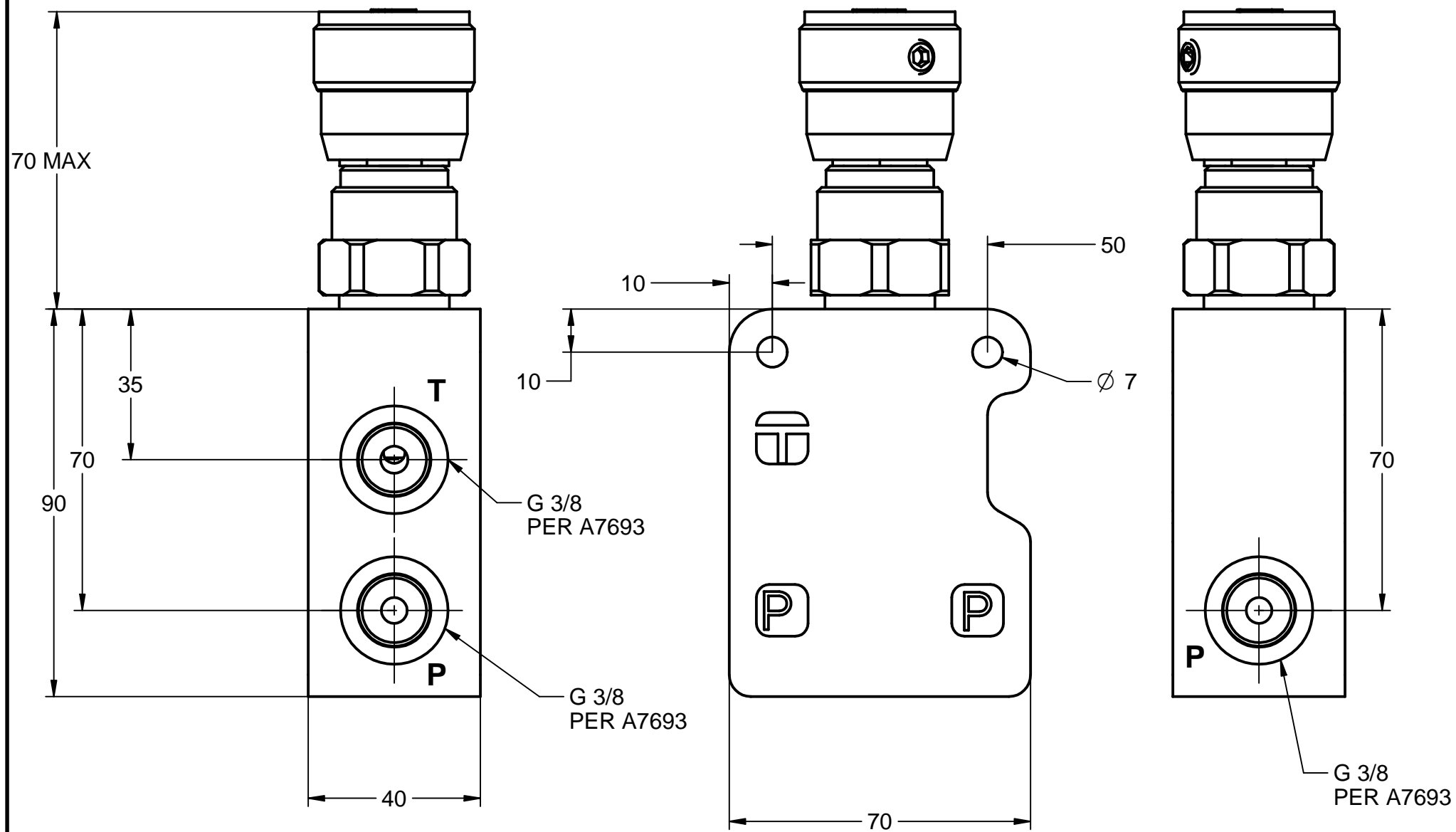
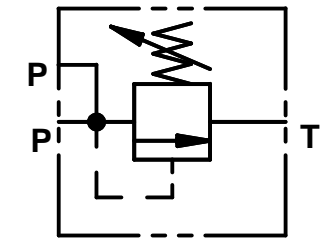
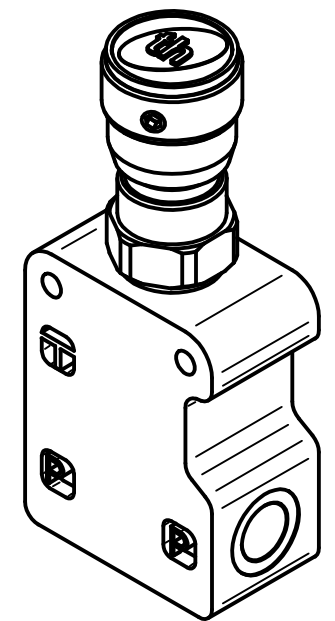


**FLUID POWER SYMBOL**



**SPECIFICATION**

**MAX PRESSURE:** 315 BAR  
**FLOW CAPACITY:** 20 LPM  
**MAX TEMP:** 80 DEG CENTIGRADE  
**PORTS:** 3/8 BSP



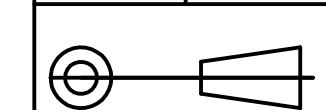
**Model Code**

**DR06**   **P**   **3W**   **20**  
 BASIC CODE      P - KNOB      3/8SP PORTS  
 ADJUST PRESSURE RANGE  
 05 50 BAR  
 10 100 BAR  
 20 200 BAR  
 30 315 BAR

VALVE WEIGHT 1.7 KG

**Tucson Hydrocontrols**  
 C1B 246/5 GIDC Estate, Umbergaon  
 Gujarat 39 6171

DRAWN	PVD	CHKD	MJ
APRVD	PVD	DATE	06/09



SCALE

**DATA SHEET**  
**DR06 3W**

DATA SHEET NO **010 101**

TS004