

SPECIFICATIONS

MAX PRESSURE 300 BAR
MAX FLOW 30 LPM
MAX TEMP 80 DEG C
BOLT KIT M6X30

MODEL CODE

DRG06 P 20

BASIC CODE

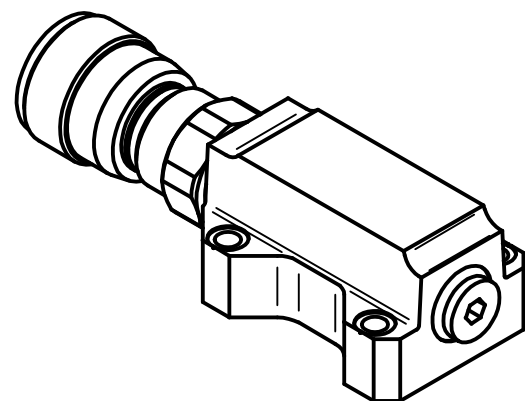
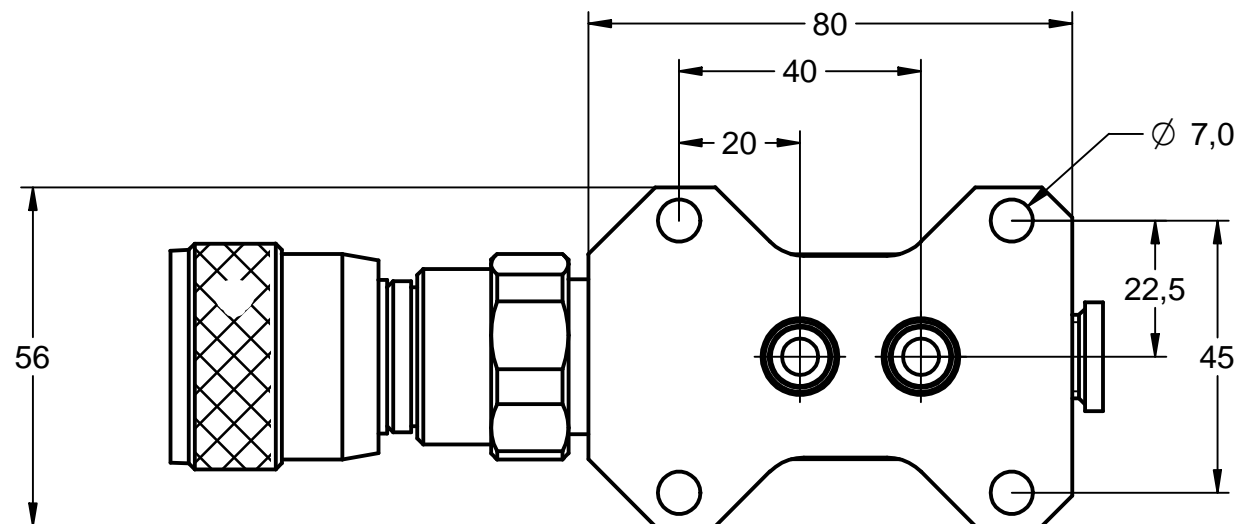
P- KNOB

K-FLAT KNOB

ADJUST PRESSURE

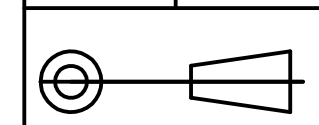
- 05 50 BAR
- 10 100 BAR
- 20 200 BAR
- 30 300 BAR

VALVE WEIGHT 1.2 KG



Tucson Hydrocontrols
 C1B 246/5 GIDC Estate, Umbergaon
 Gujarat 39 6171

DRAWN	PVD	CHKD	MJ
APRVD	PVD	DATE	



SCALE

DATA SHEET DRG06
 DATA SHEET NO **010 105**

TS004