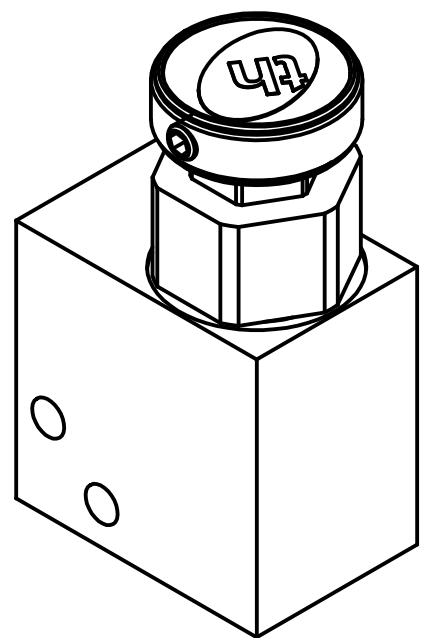


SECTION A-A

MODEL CODE BSDPM 160 2W
MAXIMUM FLOW : 5 LPM
MAX PRESSURE 160 BAR



provisional1

Tucson Hydrocontrols			
C1B 246/5 GIDC Estate, Umbergaon			
Gujarat 39 6171			
DRAWN PVD	CHKD RJPD	DATA SHEET DIRECT RELIEF VALVE	
APRVD PVD	DATE 06/09		
		DATA SHEET NO	
SCALE			