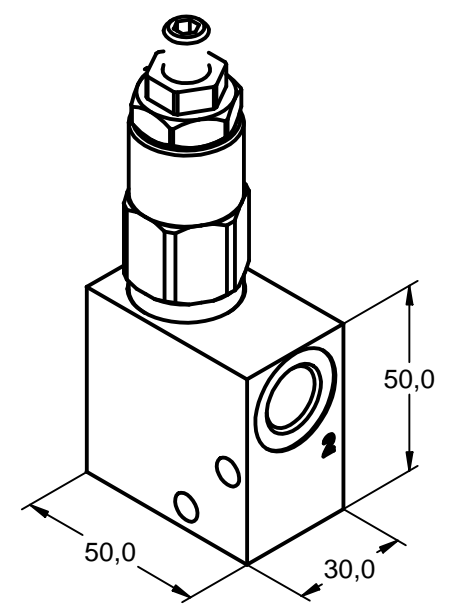
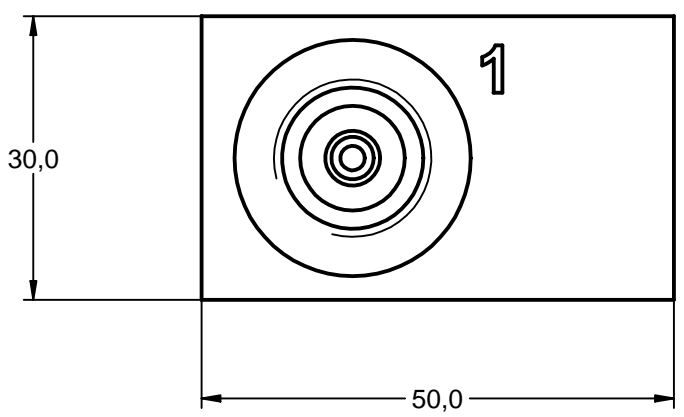


**SPECIFICATION**

MAX PRESSURE: 210 BAR  
 FLOW CAPACITY: 40 LPM  
 MAX TEMP: 80 DEG C  
 CAVITY: A 879  
 PORTS: 3/8 BSP



**PROVISIONAL 1**



**Model Code**

**DRV08 P 3W 20**

BASIC CODE ————

P - KNOB ————

3W ———— 3/8SP PORTS

20 ———— ADJUST PRESSURE RANGE

05 50 BAR  
 10 100 BAR  
 20 200 BAR  
 30 315 BAR

VALVE WEIGHT 1.7 KG

**Tucson Hydrocontrols**  
 C1B 246/5 GIDC Estate, Umbergaon  
 Gujarat 39 6171

DRAWN PVD	CHKD RJPD
APRVD PVD	DATE 07/08

**DATA SHEET**  
**DIRECT RELIEF VALVE**  
**DRV08 P \*\* 3W**

SCALE

DATA SHEET NO **010 107**

TS004