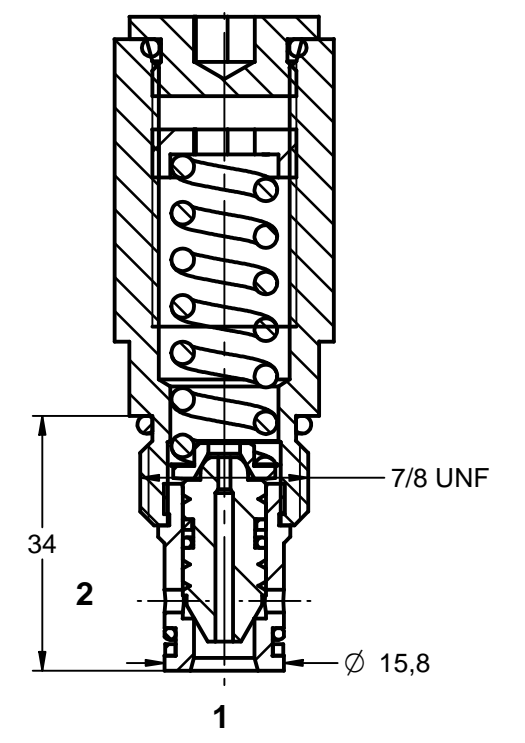


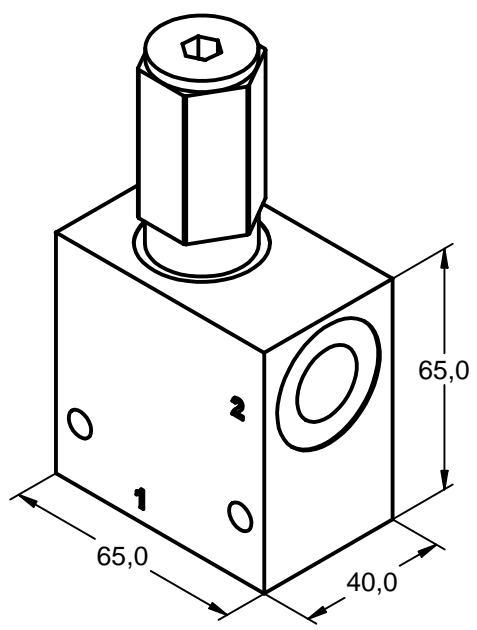
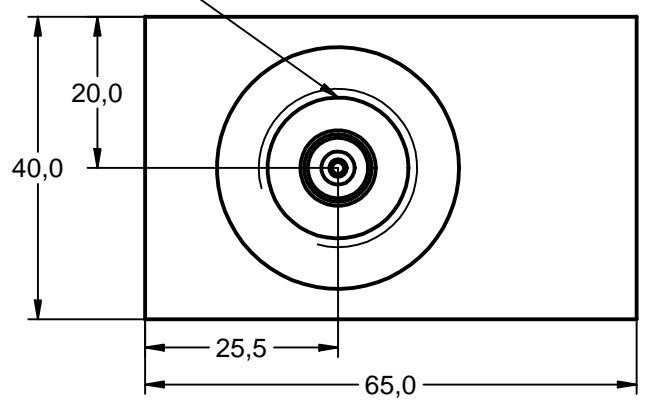
**SPECIFICATION**

MAX PRESSURE: 250 BAR  
 FLOW CAPACITY: 60 LPM  
 MAX TEMP: 80 DEG C  
 CAVITY: SAE10-2  
 PORTS: 1/2 BSP  
 LEAKAGE: 10 dpm max



**PROVISIONAL 1**

G1/2 - 16,0 DEEP  
PER A7693



**Model Code**

**DARV3 10 F 4W 20**

BASIC CODE

ADJUST PRESSURE RANGE  
20: 10 TO 200 BAR

PRESSURE  
ADJUSTMENT TYPE

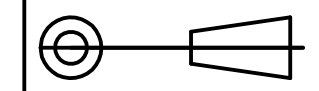
1/2BSP PORTS

TS004

**Tucson Hydrocontrols**  
 C1B 246/5 GIDC Estate, Umbergaon  
 Gujarat 39 6171

DRAWN PVD CHKD RJPD  
 APRVD PVD DATE 07/09

**DATA SHEET  
 DIFFERENTIAL AREA  
 RELIEF VALVE**



SCALE

DATA SHEET NO

**010108**