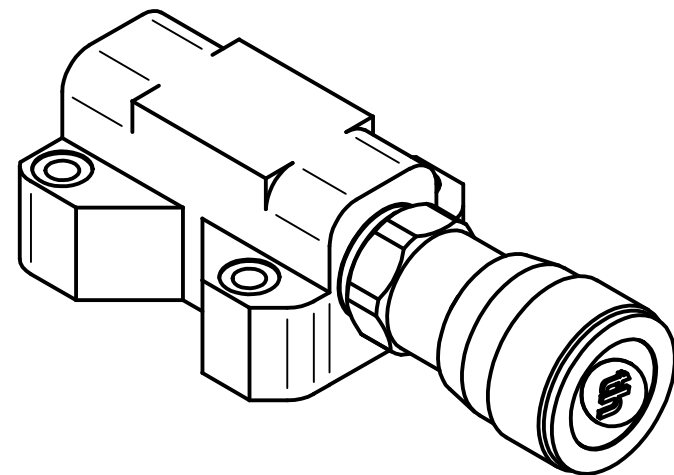
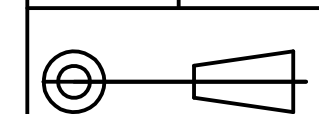


VALVE WEIGHT 2.7 KG



**Tucson Hydrocontrols**  
 C1B 246/5 GIDC Estate, Umbergaon  
 Gujarat 39 6171

DRAWN	PVD	CHKD	MJ
APRVD	PVD	DATE	



SCALE

**DATA SHEET DRG10**

DATA SHEET NO **010 115**

TS004