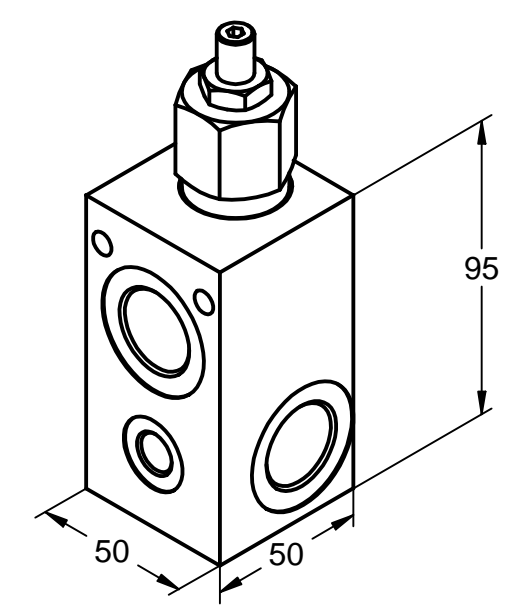


SPECIFICATIONS

MAX FLOW 150LPM
 MAX PRESSURE 400 BARS
 PORTS 1,2 G 3/4
 G G1/4
 MAX TEMP 80 DEG CEL
 FLUID MINERAL
 OIL/HFB68
 SEALS NITRILE



MODEL CODE

1AR150 P 6W 20 S IN

Basic Code
 1AR150 = Cartridge and Body Through ported

Adjustment Means
 P = Leak proof Screw Adjustment

Port Sizes – Bodied Valves Only
 6W = 3/4" BSP(1&2), G= 1/4 BSP

Casting Body Seals
 S = Nitrile (For use with most industrial hydraulic oils)

Pressure Range
 20 = 10-200 bar. Std setting 100 bar
 40 = 50-400 bar. Std setting 280 bar

Tucson Hydrocontrols
 C1B 246/5 GIDC Estate, Umbergaon
 Gujarat 39 6171

DRAWN	PVD	CHKD	MJ
APRVD	PVD	DATE	
SCALE			

DATA SHEET
PILOT OPERATED
RELIEF VALVE

DATA SHEET NO **010 120**