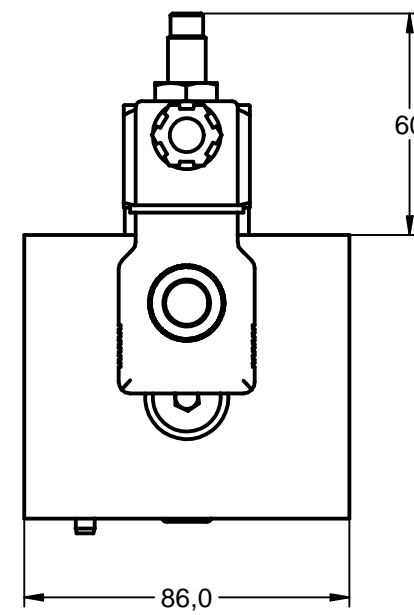
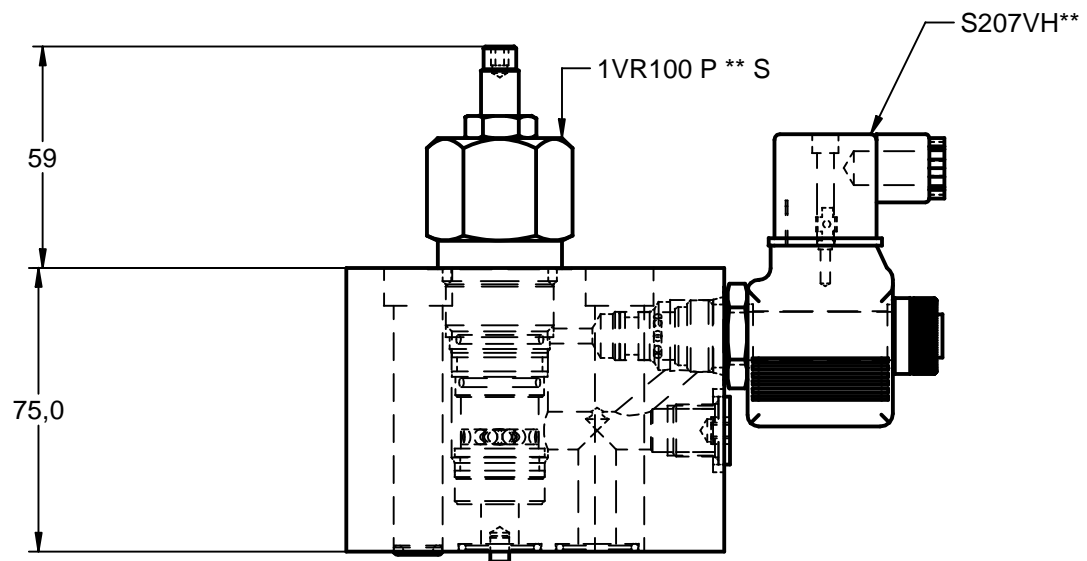
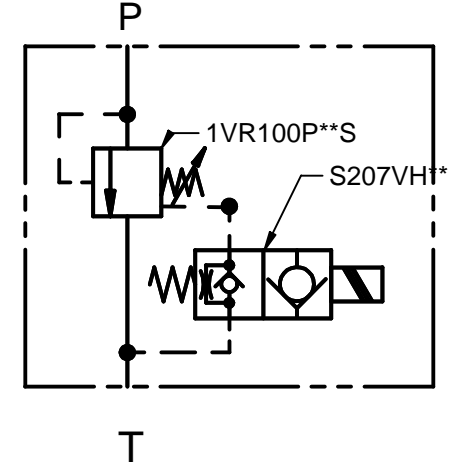
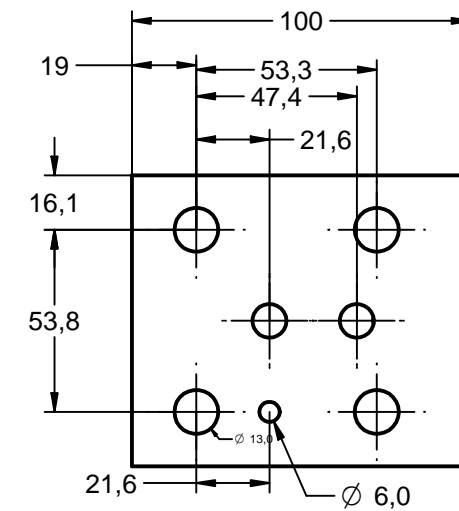


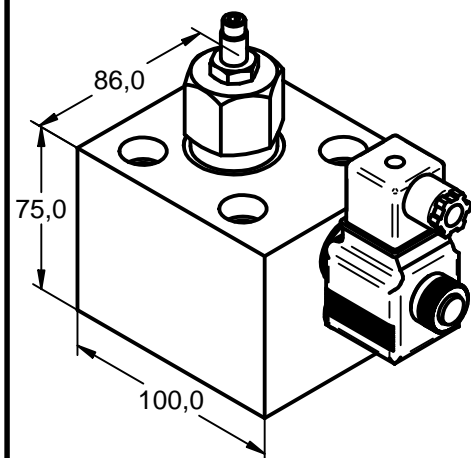
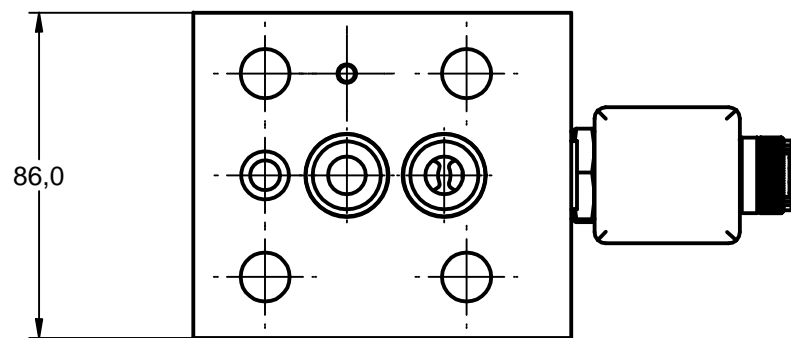
FLUID POWER SYMBOL



SUBPLATE DIMESIONS



PROVISIONAL 1



Model Code

VRG10 Basic Code

P Screw Adjustment

20 Pressure Range
20 : 10-210 bar
35 : 30-350 bar

H Voltage
24-24VAC
220-220VAC
50 HZ

24 DIN CONNECTOR

Tucson Hydrocontrols
C1B 246/5 GIDC Estate, Umbergaon
Gujarat 39 6171

DRAWN PVD	CHKD RJPD
APRVD PVD	DATE 10/07
SCALE	

DATA SHEET
RELIEF VALVE VRG10

DATA SHEET NO **010 125**