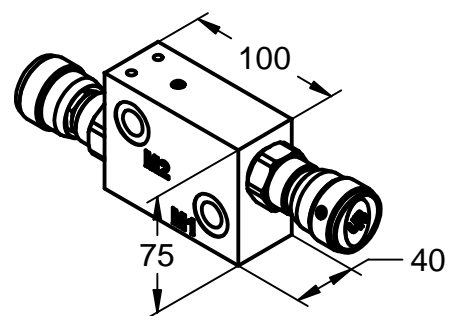
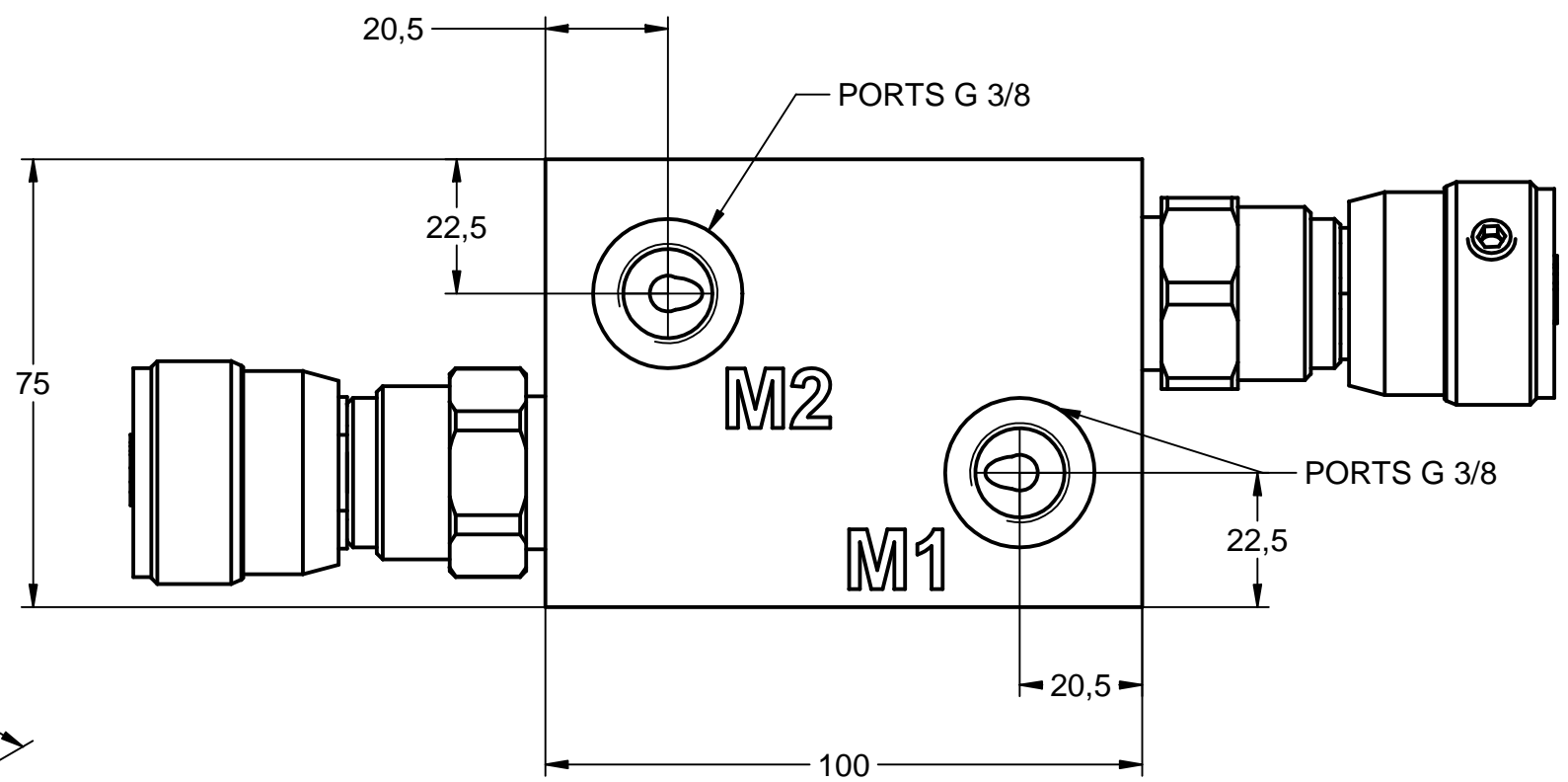
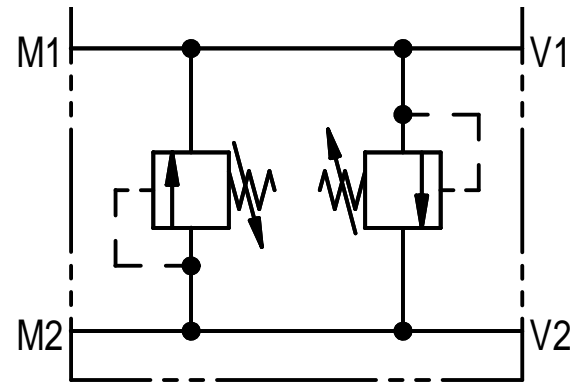


DR06 P **



FLUID POWER SYMBOL



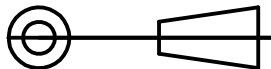
MODEL CODE:

DDR06 P 3W 20

MAX PRESSURE 300 BAR
 MAX FLOW THROUGH RELIEF VAVE 20 LPM
 PORTS G 3/8

VALVE WEIGHT 2 KG

TS

Tucson Hydrocontrols			
C1B 246/5 GIDC Estate, Umbergaon			
Gujarat 39 6171			
DRAWN	PVD	CHKD	MJ
APRVD	PVD	DATE	
			DUAL RELIEF VALVE
SCALE		DATA SHEET NO	010 370