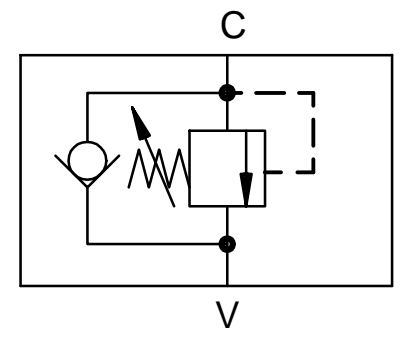


SECTION A-A

FLUID POWER SYMBOL



SPECIFICATION

PORTS : C, V 1/2 BSP
 MAX PRESSURE 210 BAR
 MAX FLOW 40 LPM

MODEL CODE

CBV10 P 4W 10

BASIC CODE

KNOB ADJUSTER

PORT SIZE

1/2 BSP

PR RANGE

- 05 - 50 BAR
- 10 - 100 BAR
- 20 - 200 BAR

VALVE WEIGHT 1.8 KG

Tucson Hydrocontrols			
C1B 246/5 GIDC Estate, Umbergaon			
Gujarat 39 6171			
DRAWN	PVD	CHKD	MJ
APRVD	PVD	DATE	
SCALE		DATA SHEET NO 040 250	

DATA SHEET
 COUNTER BALANCE
 VALVE CBV10