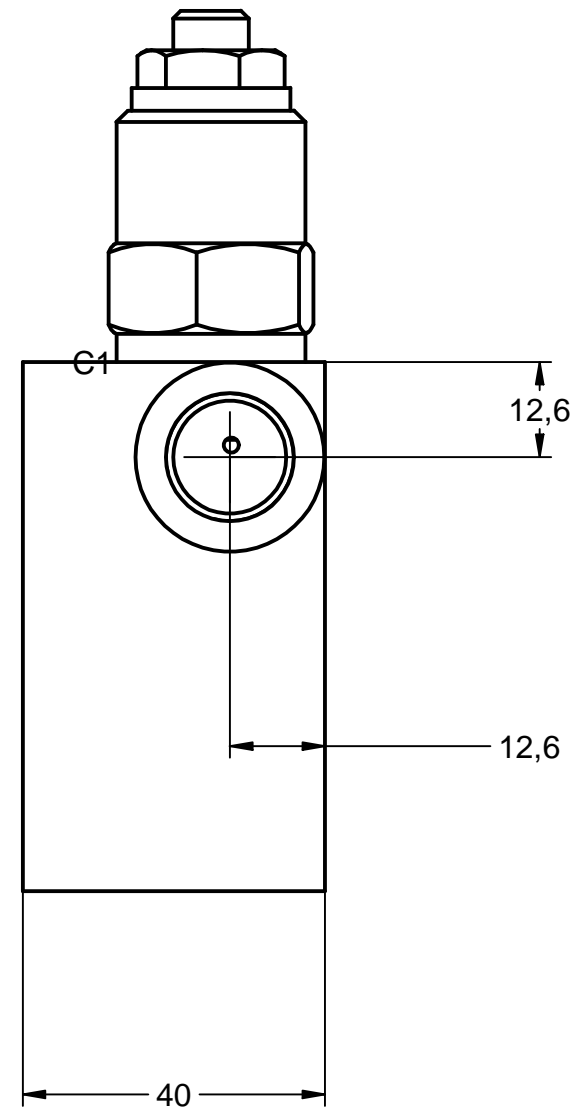
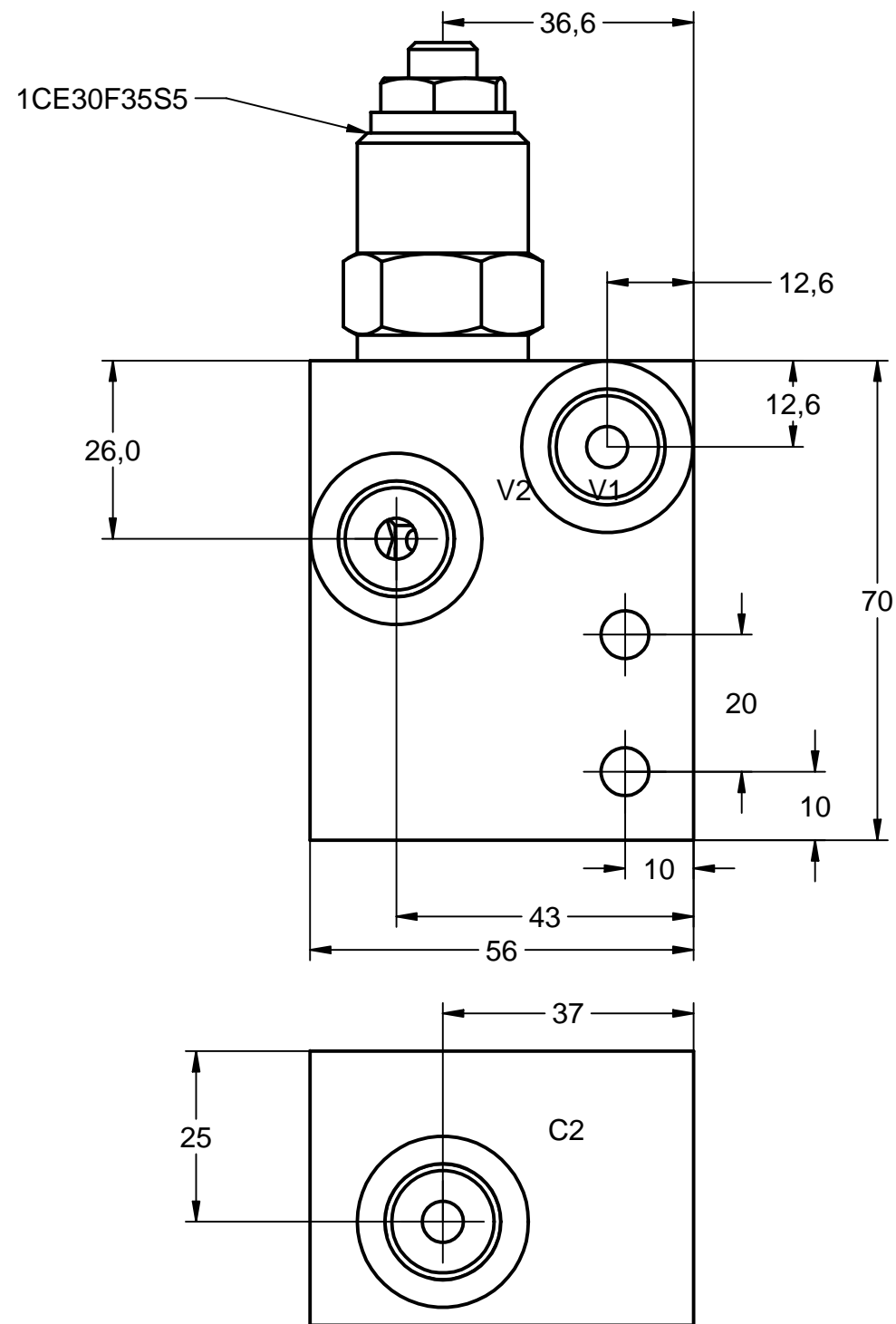
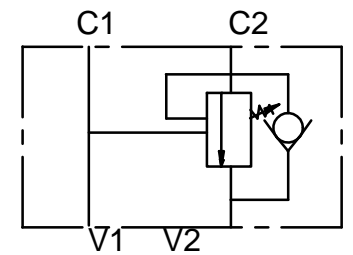


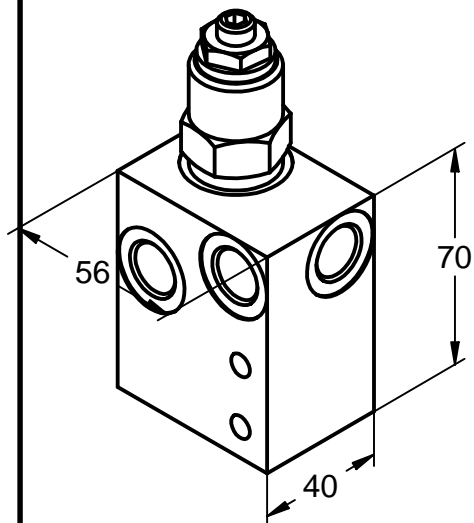
FLUID POWER SYMBOL



PORTS : C1,C2,V1,V2 3/8BSP
 MAX PRESSURE 350 BAR
 MAX FLOW 40LPM

Ⓐ MODEL CODE 1CE35F3W35S5IN1

VALVE WEIGHT 0.6 KG



Tucson Hydrocontrols			
C1B 246/5 GIDC Estate, Umbergaon			
Gujarat 39 6171			
DRAWN	PVD	CHKD	MJ
APRVD	PVD	DATE	
			DATA SHEET OVERCENTER VALVE 1CE35F3W **S*IN1
SCALE		DATA SHEET NO 040 300	

TS006