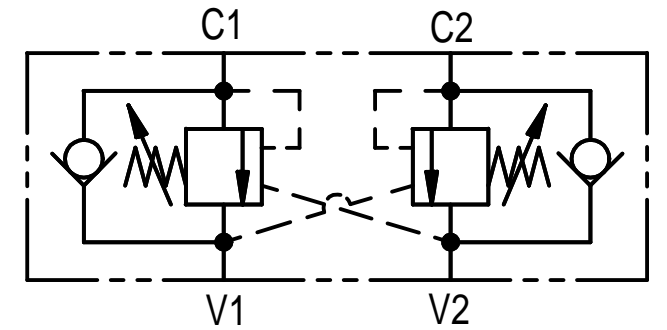


FLUID POWER SYMBOL

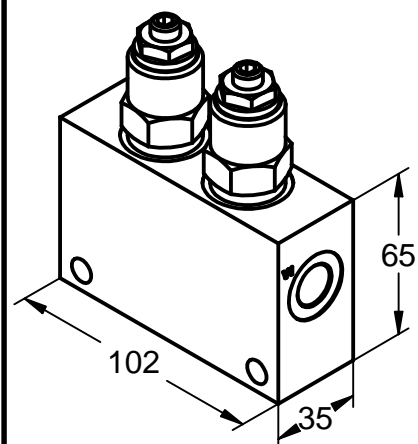
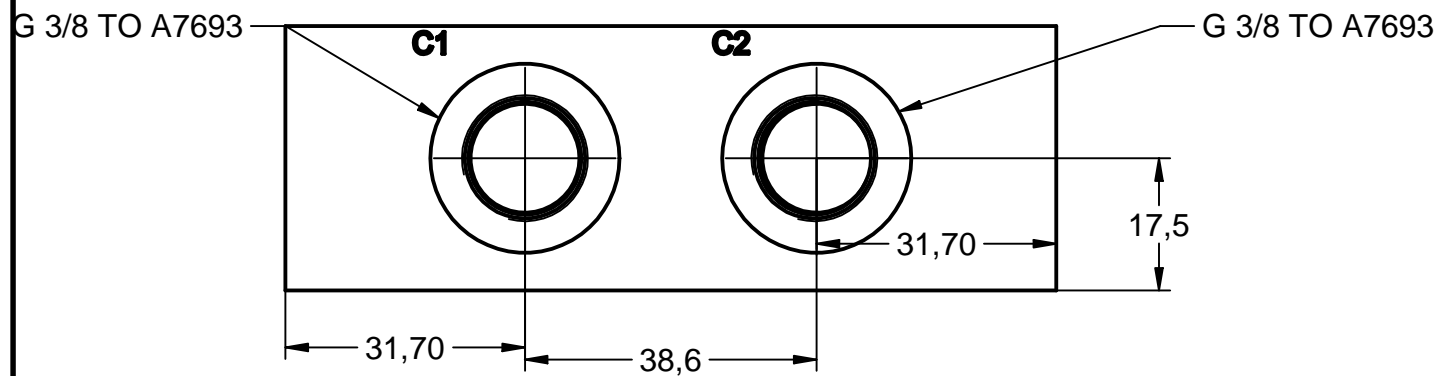


MODEL CODE

1CEE34F3W35S5

SPECIFICATION

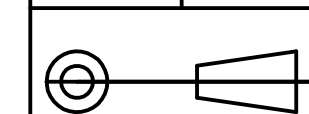
MAX FLOW	40 LPM
MAX PRESSURE	280 BAR
AREA RATIO	5
PORTS	3/8 BSP
SEALS	NITRILE
SET PRESSURE	210 BAR
SEAL KIT	SK 395 (TWO NOS)



VALVE WEIGHT 0.9 KG APPROX

Tucson Hydrocontrols
 C1B 246/5 GIDC Estate, Umbergaon
 Gujarat 39 6171

DRAWN	PVD	CHKD	MJ
APRVD	PVD	DATE	06/07



SCALE

DATA SHEET
1CEE34

DATA SHEET NO **040330**

TS006