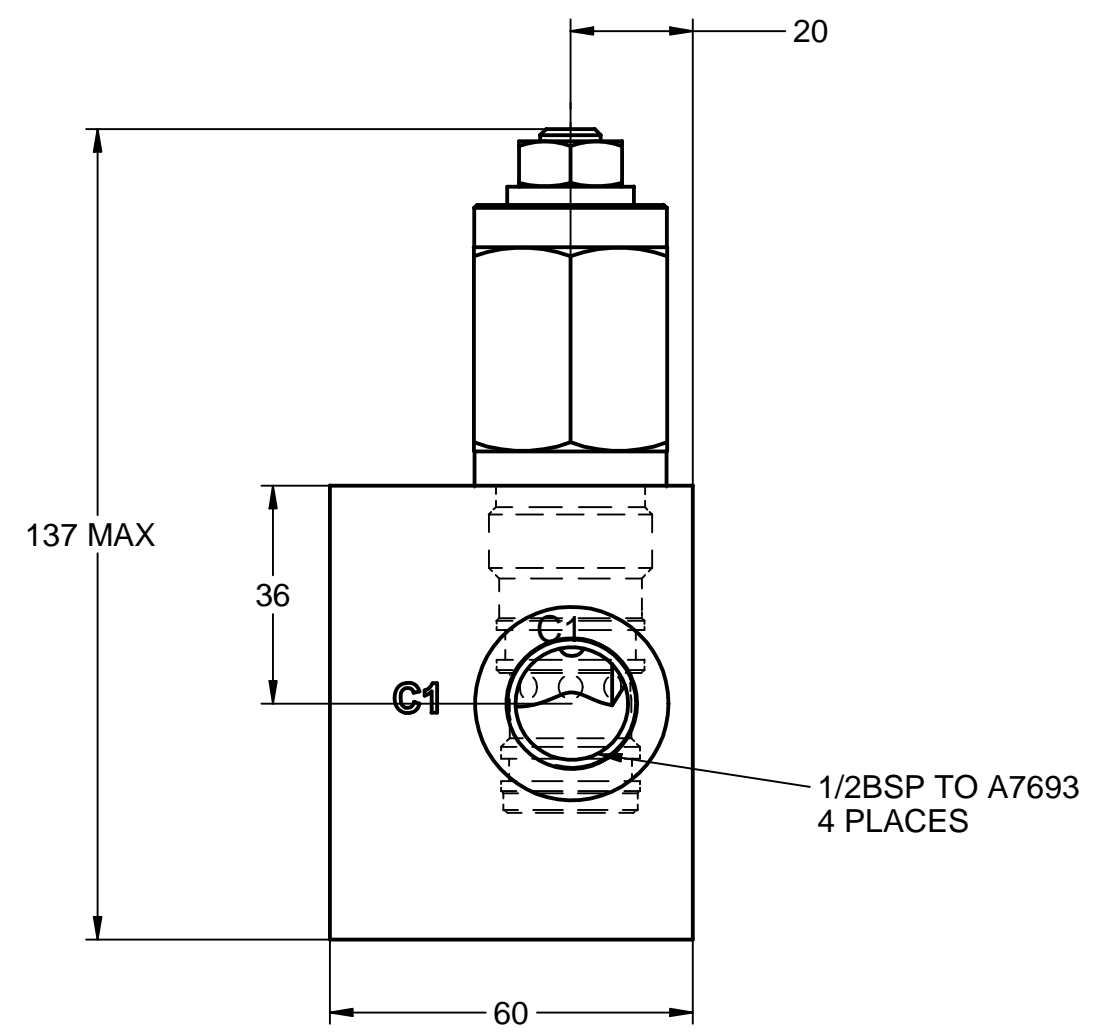
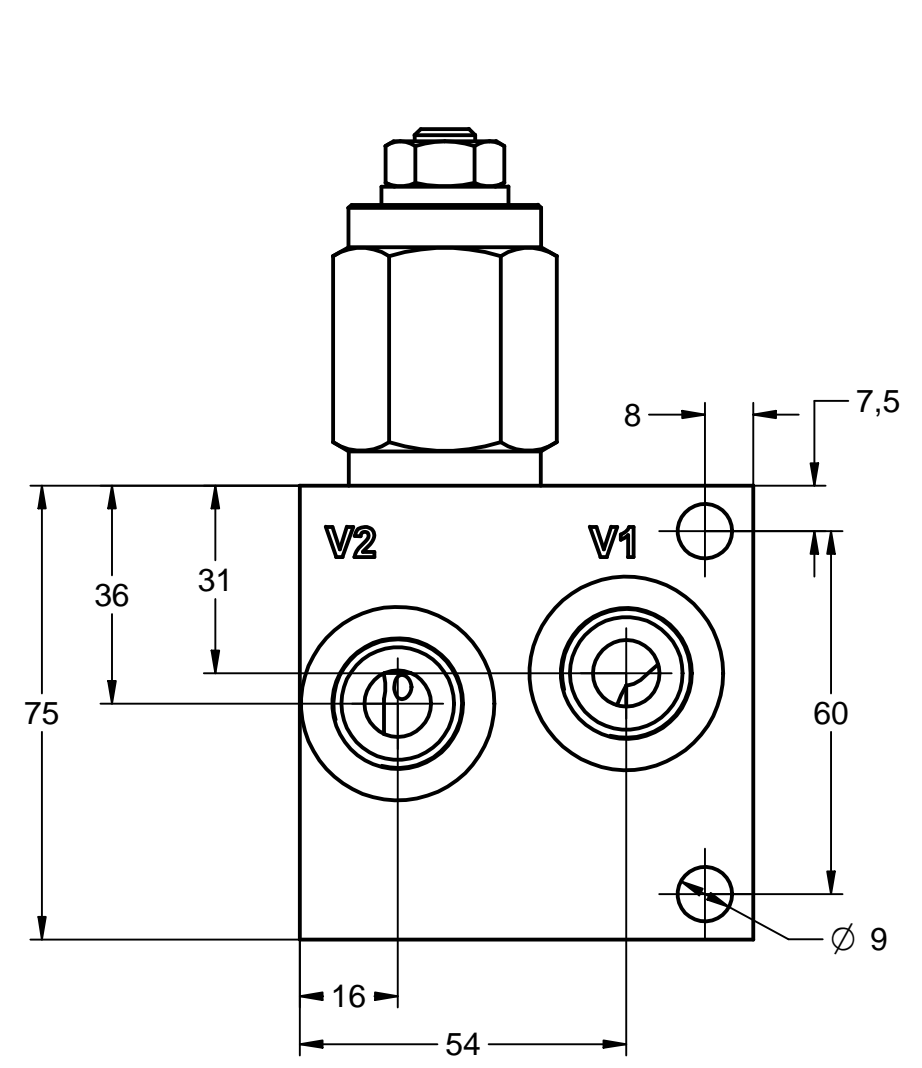
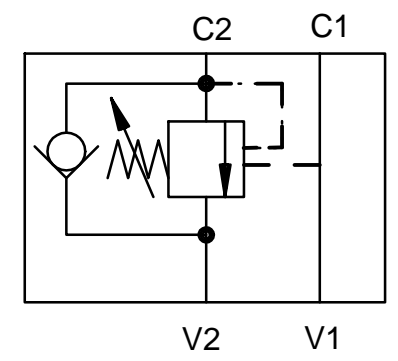
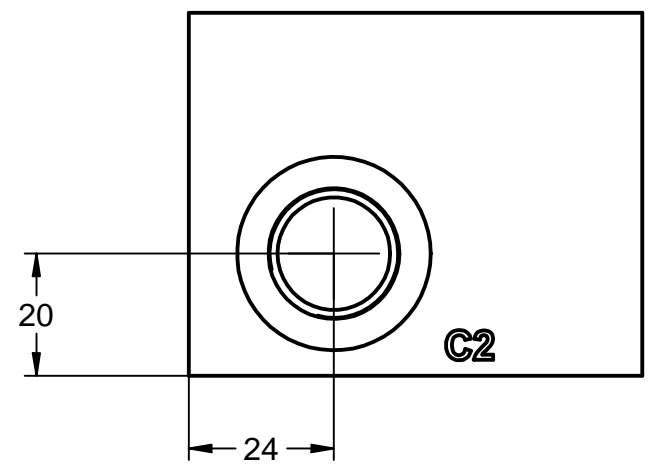
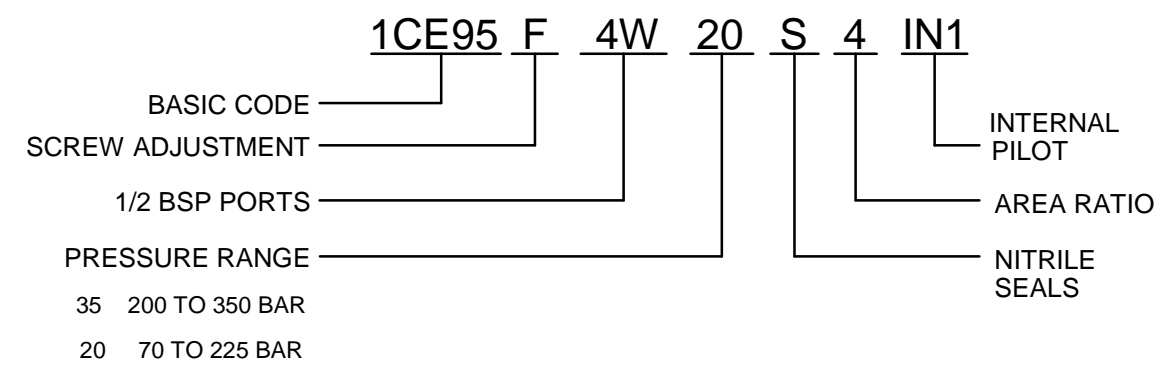


FLUID POWER SYMBOL

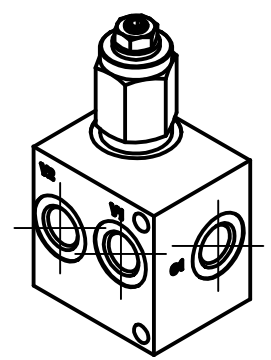


PORTS : C1,C2,V1,V2 1/2BSP  
 MAX PRESSURE 350 BAR  
 MAX FLOW 95LPM

MODEL CODE



VALVE WEIGHT 1.2 KG



**Tucson Hydrocontrols**  
 C1B 246/5 GIDC Estate, Umbergaon  
 Gujarat 39 6171

DRAWN	PVD	CHKD	MJ
APRVD	PVD	DATE	
SCALE			

**DATA SHEET**  
**1CE95F4W\*\*S\*IN**

DATA SHEET NO **040 400**

TS006