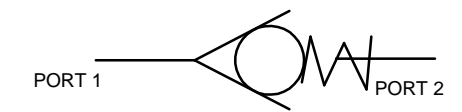


FLUID POWER SYMBOL



MODEL CODE

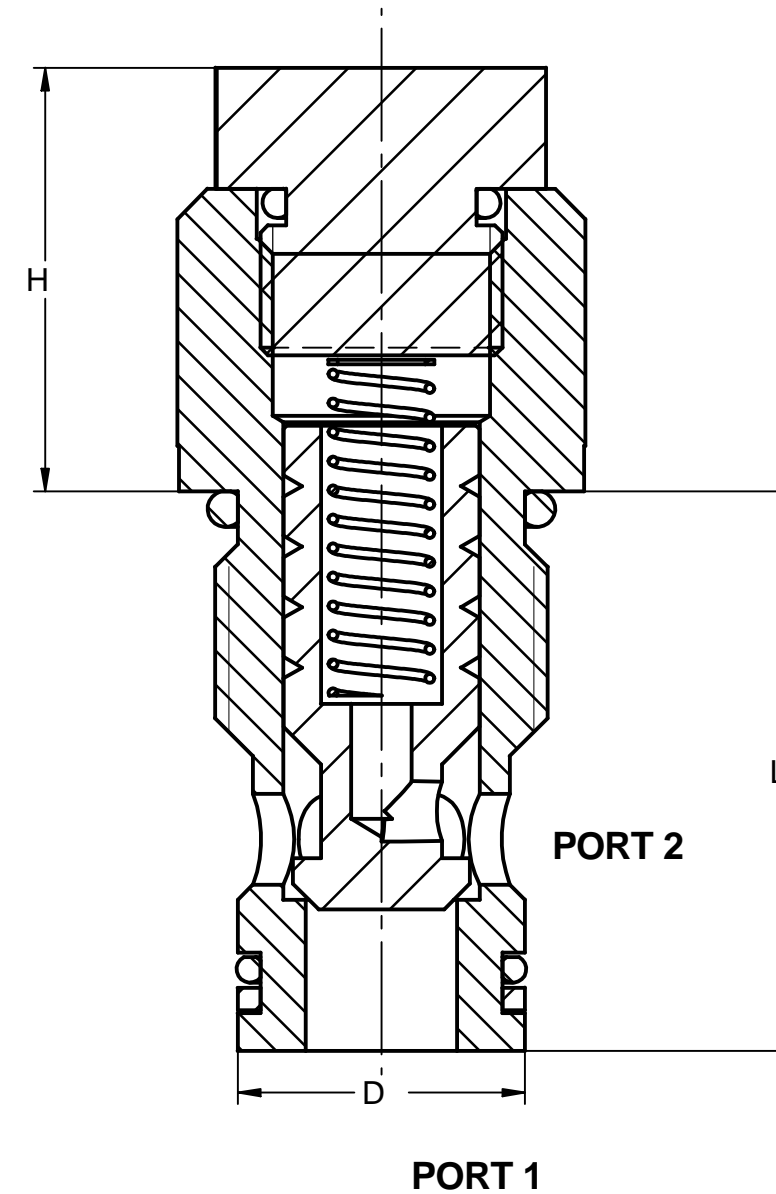
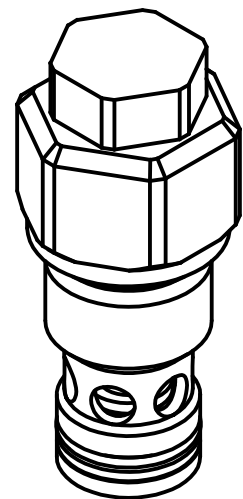
CVC 10 1 11

BASIC CODE
CHECK VALVE

DESIGN NO

SIZE
06,10,16,51,81

CRACKING PRESSURE
BAR



TS001

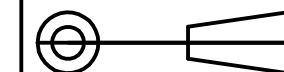
TP XP0552

Tucson Hydrocontrols
C1B 246/5 GIDC Estate, Umbergaon
Gujarat 39 6171

Model Code	Max Pr. Bar	Max Flow Lpm	M	D	L	H	S	Cavity	Form Drill	Form Reamer
CVC 06 * 10	350	20	3/4 UNF	12.7	28	6.5	25.5	SAE 06.2	A1040	A1041
CVC 10 * 10	350	50	M22X1.5	19.0	38	25	27	ISO	FR041	FR001
CVC 16 * 10	350	150	1.5/16 UNS	28.5	46	10	41	SAE 16.2	A3081	A3082
3CA51 *10	350	50	7/8 -14UNF	15.8	33	9.9	25.4	SAE 10.2	A12439	A12440
3CA81 *10	300	50	7/8 -14UNF	19.05	37	6.5	25.4	A3973	A4130	A3974

DRAWN PVD
APRVD PVD

CHKD RJPD
DATE



SCALE

**DATA SHEET
CARTRIDGE CHECK
VALVE**

DATA SHEET NO **050 010**