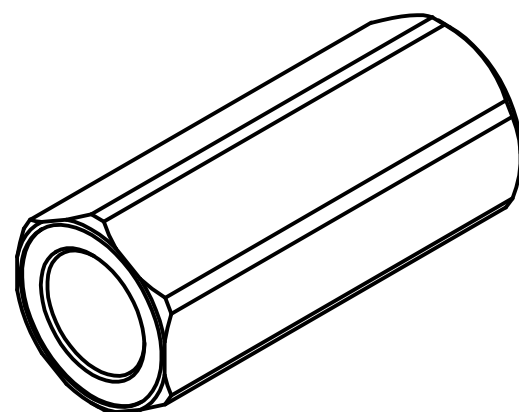
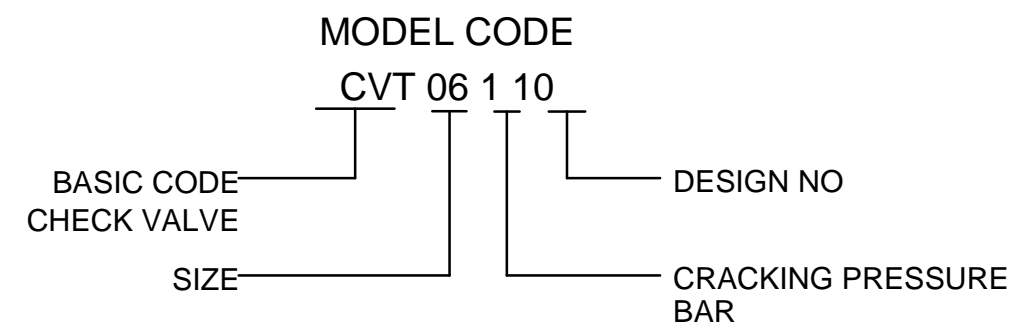
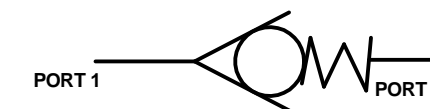


SECTION A-A



FLUID POWER SYMBOL

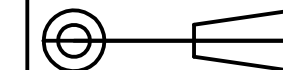


MODEL CODE	MAX PRESS. BAR	G BSP	L MM	C MM	S MM	WT KG
CVT 04 * 10	350	1/4			19	.2
CVT 06 * 10	350	3/8	80	12	27	.30
CVT 10 * 10	350	1/2	85	17	32	.43
CVT 15 * 10	350	3/4	105	19	36	.6
CVT 20 * 10	350	1	112	21	46	1.0
CVT 25 * 10	300	1 1/4	142	26	55	1.8
CVT 30 * 10	250	1 1/2	155	26	63.5	2.5

**Tucson Hydrocontrols**  
C1B 246/5 GIDC Estate, Umbergaon  
Gujarat 39 6171

DRAWN PVD    CHKD RJPD  
APRVD PVD    DATE

**DATA SHEET IN  
LINE CHECK VALVE**



SCALE

DATA SHEET NO **050 030**

TS001