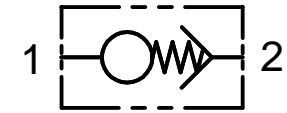
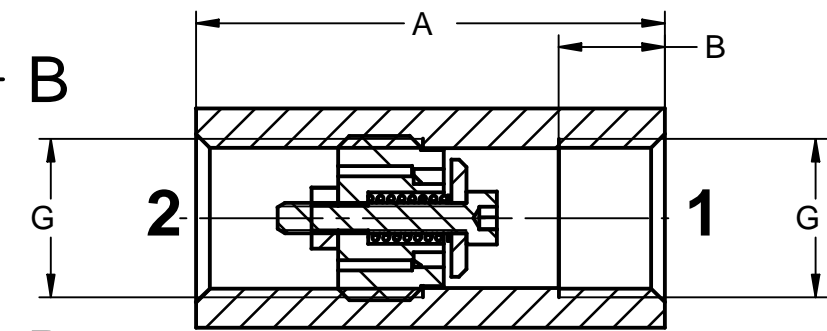
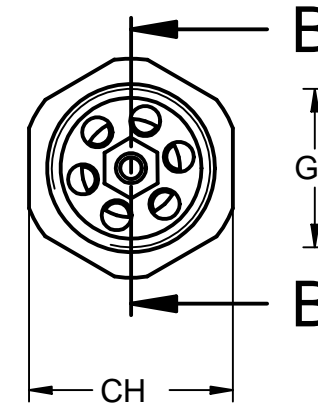
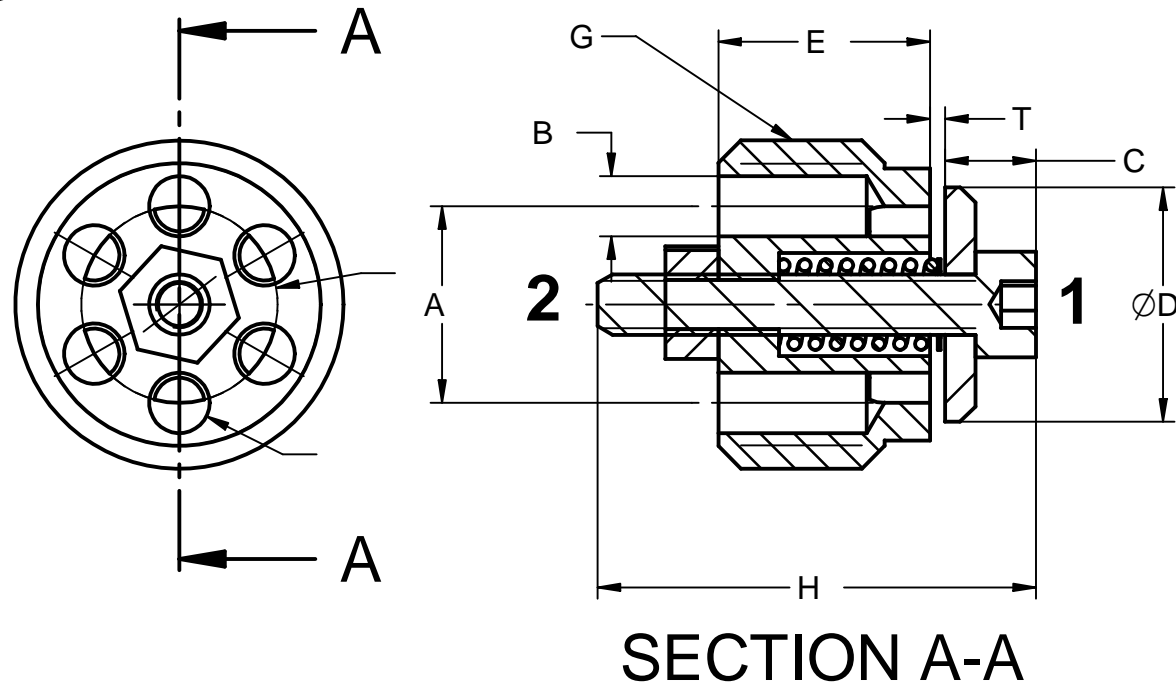
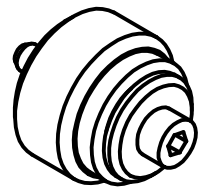


FLUID POWER SYMBOL



Basic Code	Max Bar	L/Min	Weight Gm	G BSP	A	B	G BSP	CH
HBV2W 2WM	350	25	70	1/4	50	12	1/4	19
HBV3W 3WM	350	50	130	3/8	58	12	3/8	22
HBV4W 4WM	350	80	230	1/2	70	14	1/2	27
HBV6W 6WM	350	150	450	3/4	78	16	3/4	36
HBV8W 8WM	300	200	940	1	92	20	1	46



SECTION B-B

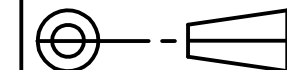
Basic Code	Max Bar	L/Min	Weight Gm	G BSP	A	B	G BSP	CH
HBV2W	350	25	70	1/4	48	12	1/4	19
HBV3W	350	50	130	3/8	52	12	3/8	22
HBV4W	350	80	230	1/2	62	14	1/2	27
HBV6W	350	150	450	3/4	72	16	3/4	36
HBV8W	300	200	940	1	86	20	1	46

Basic Code	Max Bar	L/Min	Weight Gm	G BSP	A	B	D	E	T	Approx LPM	C	H	F	F1
HBVG1/4	350	25	70	1/4	8.5	2.4	9.5	8	.5	8	5	23	23	35
HBVG3/8	350	50	130	3/8	11	3.5	12.5	11	.5	10	5	23	26	37
HBVG1/2	350	80	230	1/2	13	4.5	15	13	.7	15	6	29	30	45
HBVG3/4	350	150	450	3/4	16	6	18.5	18	.7	17	6	34	38	54
HBVG1	300	200	940	1	20	7	23	21	.8	45	7	40	40	66

PROVISIONAL 3

Tucson Hydrocontrols
 C1B 246/5 GIDC Estate, Umbergaon
 Gujarat 39 6171

DRAWN PVD CHKD RJPD
 APRVD PVD DATE 01:09



**DATA SHEET
 HOSE BURST VALVE**

TS018

DATA SHEET NO **050 040**