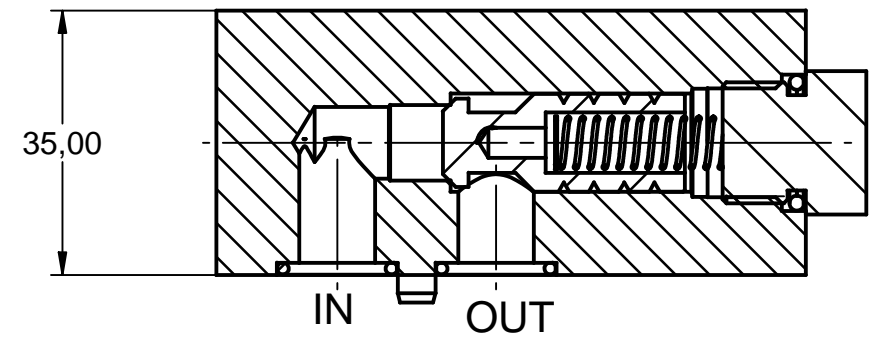
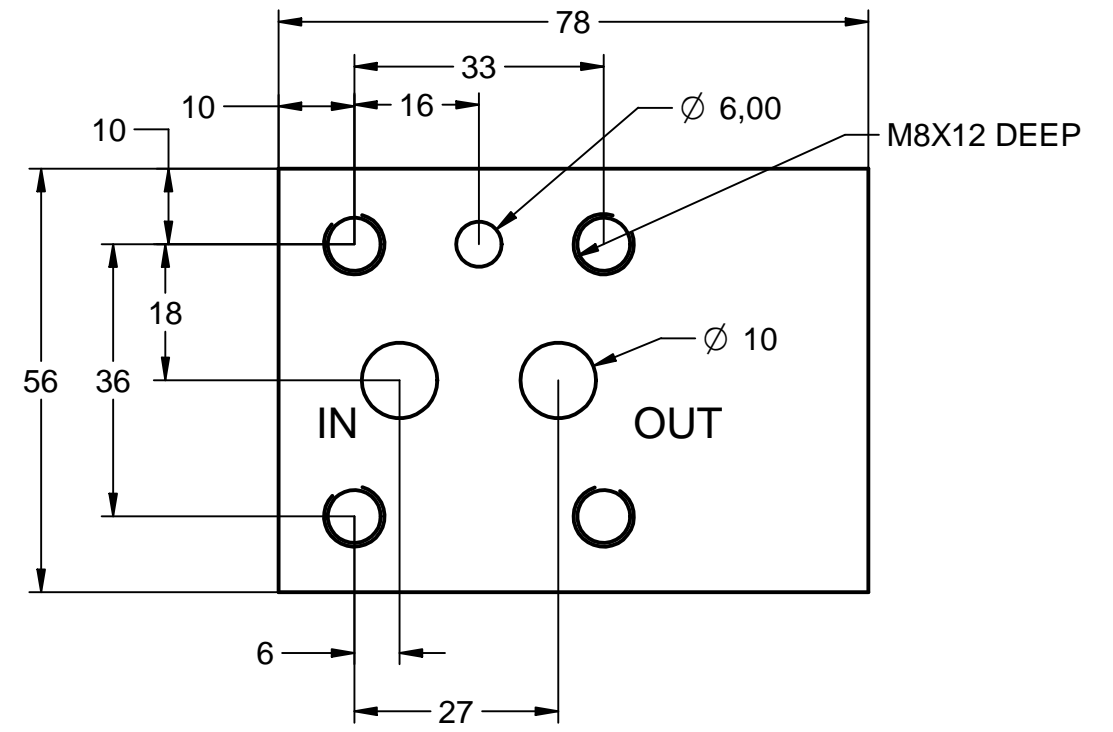
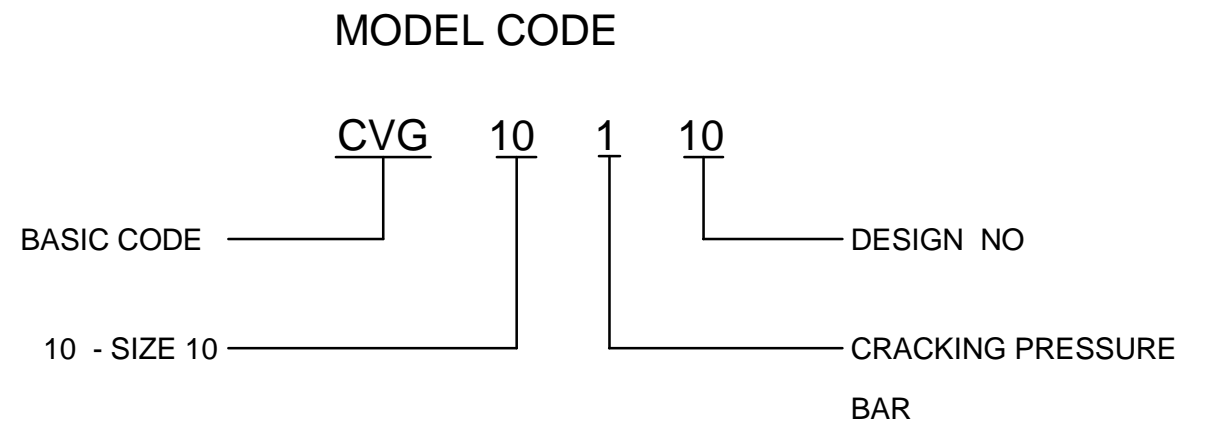
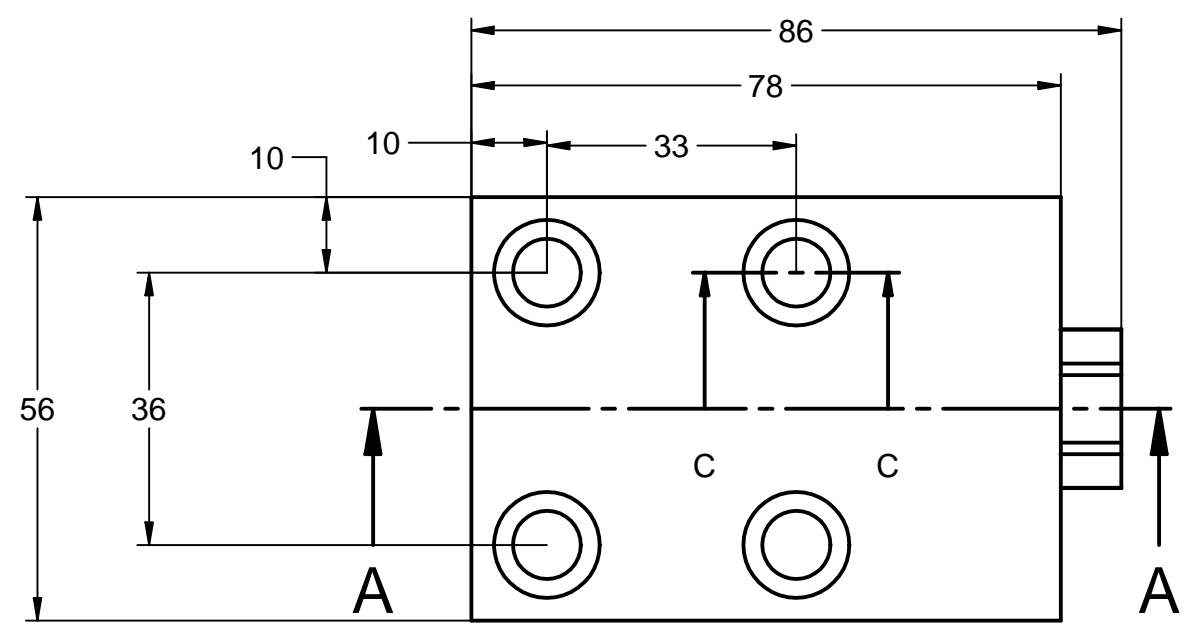
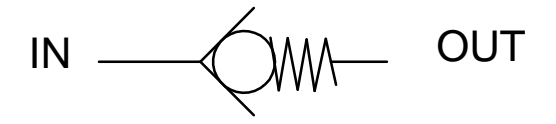
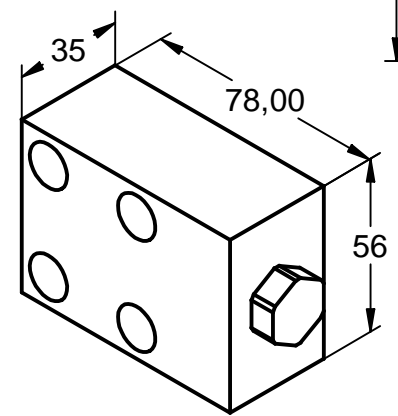


SECTION C-C

FLUID POWER SYMBOL

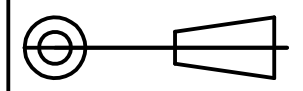


SECTION A-A



Tucson Hydrocontrols
 C1B 246/5 GIDC Estate, Umbergaon
 Gujarat 39 6171

DRAWN PVD CHKD MJ
 APRVD PVD DATE



DATA SHEET
SUBPLATE MOUNTED
CHECK VALVE

TS001

SCALE

DATA SHEET NO **050 060**