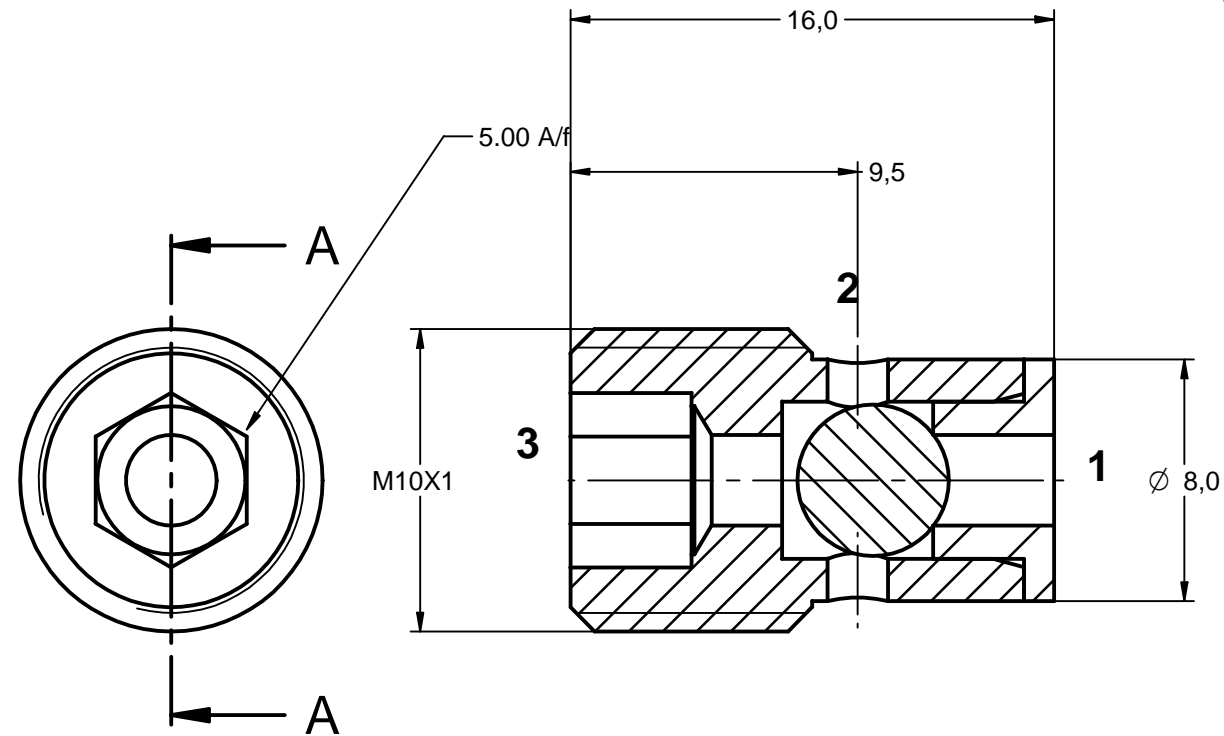
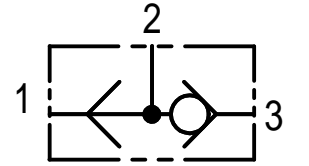
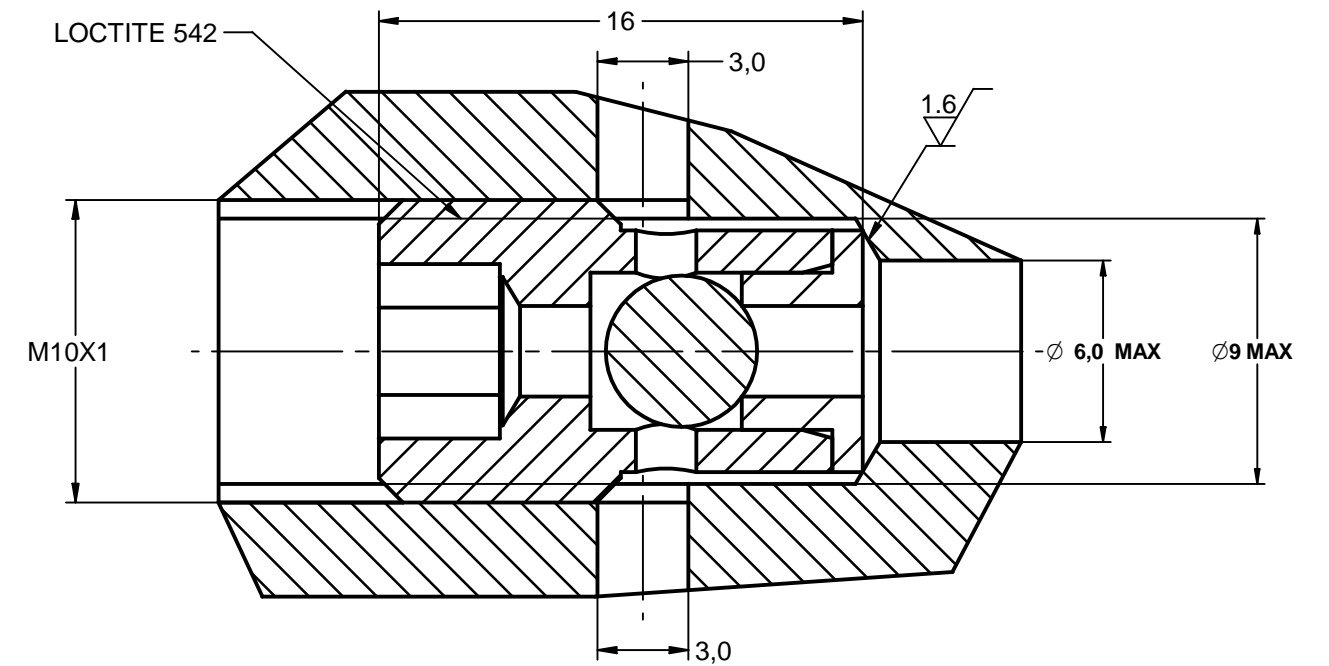


PROVOSIONAL1

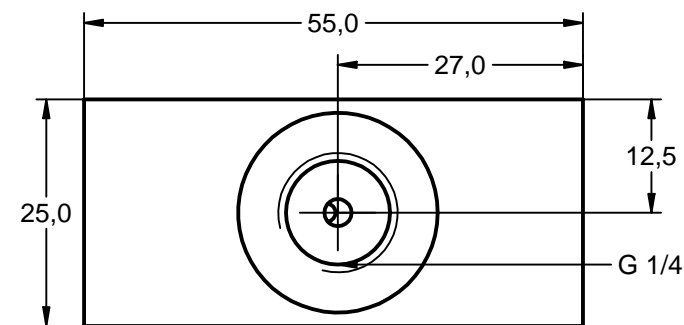
FLUID POWER SYMBOL



SECTION A-A

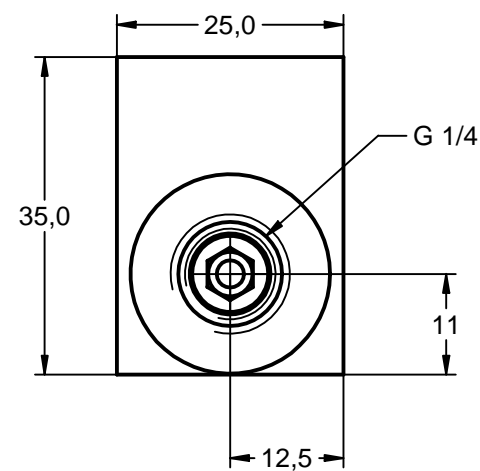


MODEL CODE: SH10

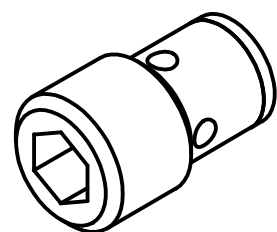
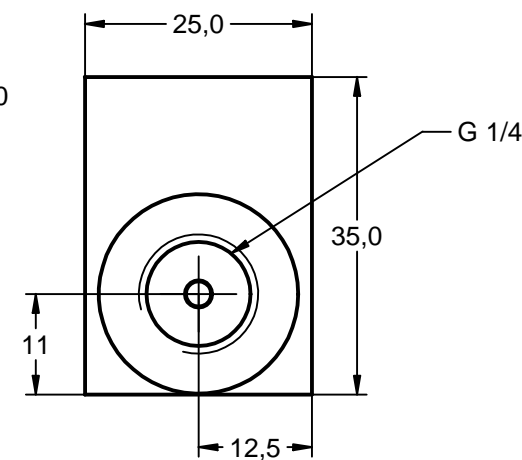
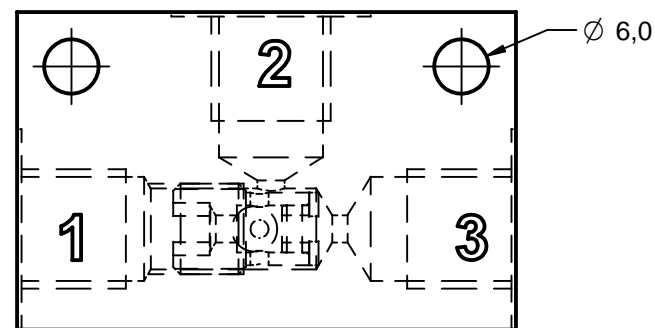


SPECIFICATION

MAX PRESSURE 350 BAR FOR SH10
250 BAR FOR SH10 4W
MAX FLOW 10 LPM



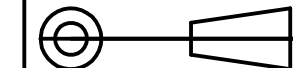
MODEL CODE: SH10 2W



Tucson Hydrocontrols
C1B 246/5 GIDC Estate, Umbergaon
Gujarat 39 6171

DRAWN PVD CHKD RJPD
APRVD PVD DATE 11/07

DATA SHEET
SHUTTLE VALVE
SH10



DATA SHEET NO 050 510

TS 019