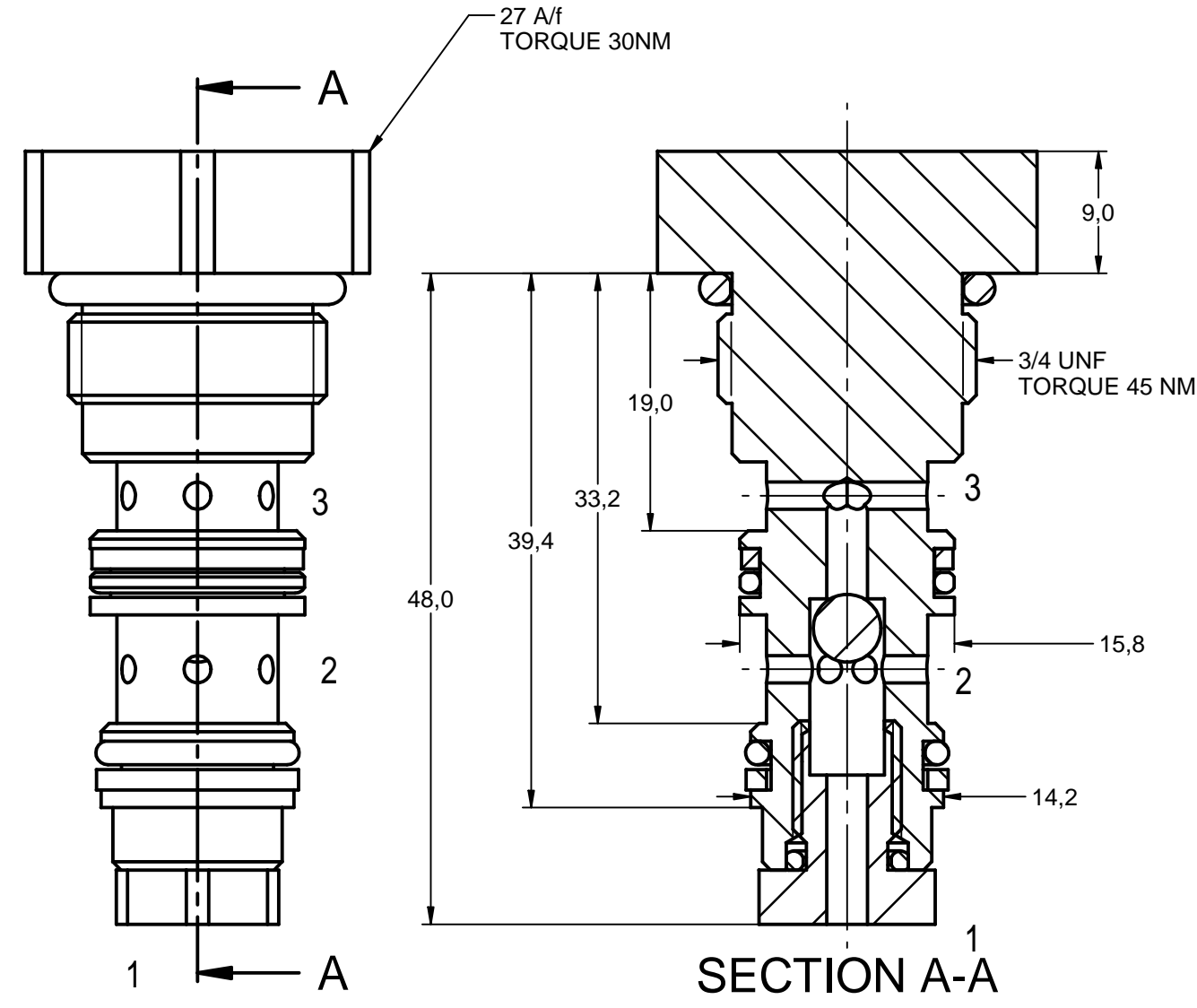
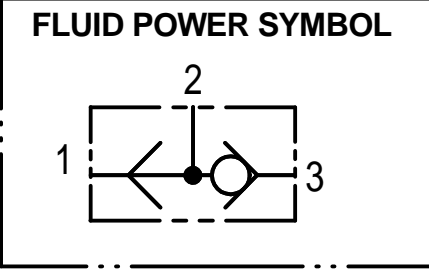


# PROVISOINAL1

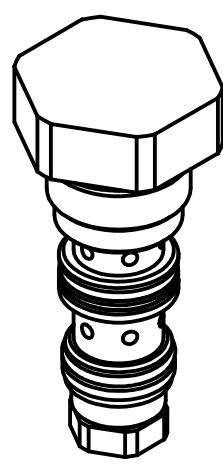


**MODEL CODE:**

**SHV1030- 20**

**SPECIFICATION**

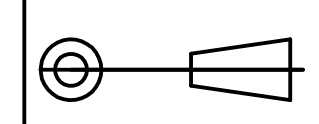
MAX PRESSURE 350 BAR  
 CAVITY SAE1030 (IHL 3531)  
 MAX FLOW 10 LPM  
 MAX TEMPERATURE 80 DEG C



TS  
 TP  
 VALVE WEIGHT

**Tucson Hydrocontrols**  
 C1B 246/5 GIDC Estate, Umbergaon  
 Gujarat 39 6171

DRAWN PVD    CHKD RJPD  
 APRVD PVD    DATE 03/08



SCALE

**DATA SHEET  
 SHUTTLE VALVE  
 SAE CAVITY**

DATA SHEET NO **050520**