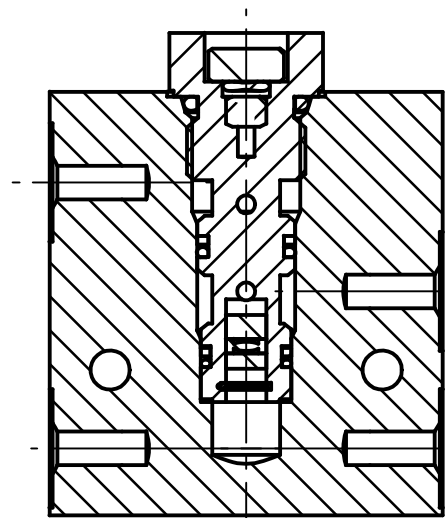
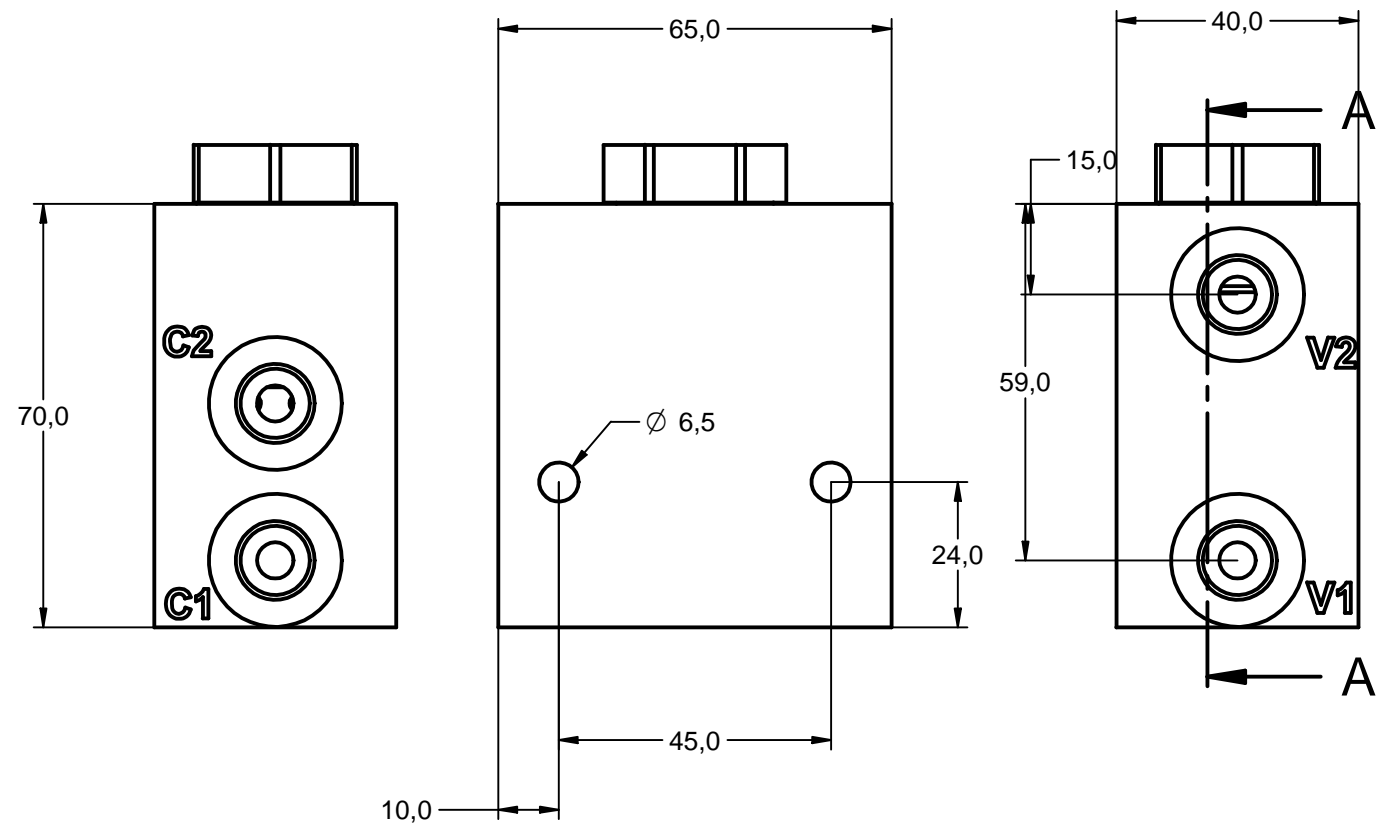
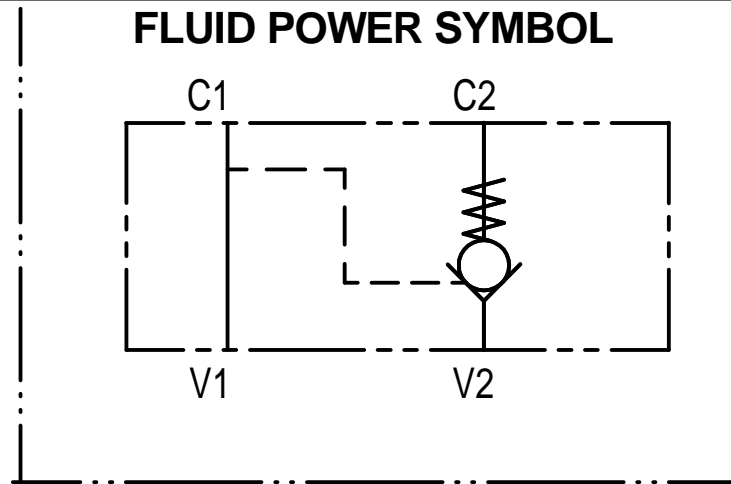


PROVISOINAL1



SECTION A-A



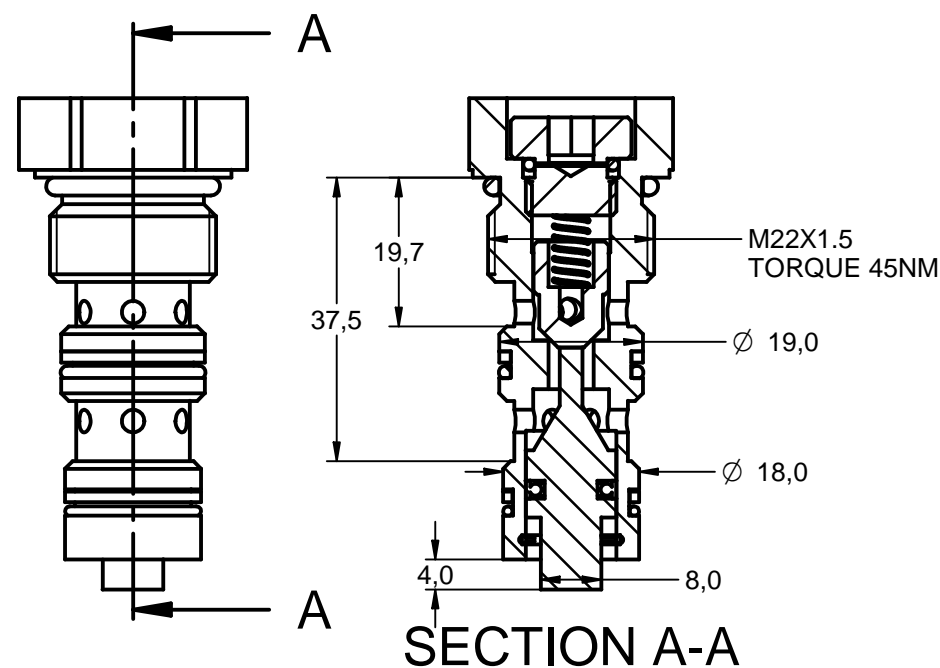
MODEL CODE
PCC 06 2W 20

BASIC CODE

SIZE

DESIGN NO

PORTS 1/4 BSP
OMIT FOR CARTRIDGE
ONLY



SECTION A-A

SPECIFICATION

MAX PRESSURE
MAX FLOW
PILOT RATIO
TEMP
SEALS
CAVITY
TEMP

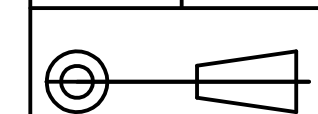
250 BAR
30 LPM
3
80 DEG C
NITRILE
ISO
-20 TO 90 DEG C

TP :
TS :

MODEL CODE
PCC 06 20

Tucson Hydrocontrols
C1B 246/5 GIDC Estate, Umbergaon
Gujarat 39 6171

DRAWN PVD CHKD RJPD
APRVD PVD DATE



SCALE

DATA SHEET
PILOT CHECK VALVE
PCC06

DATA SHEET NO **050 610**