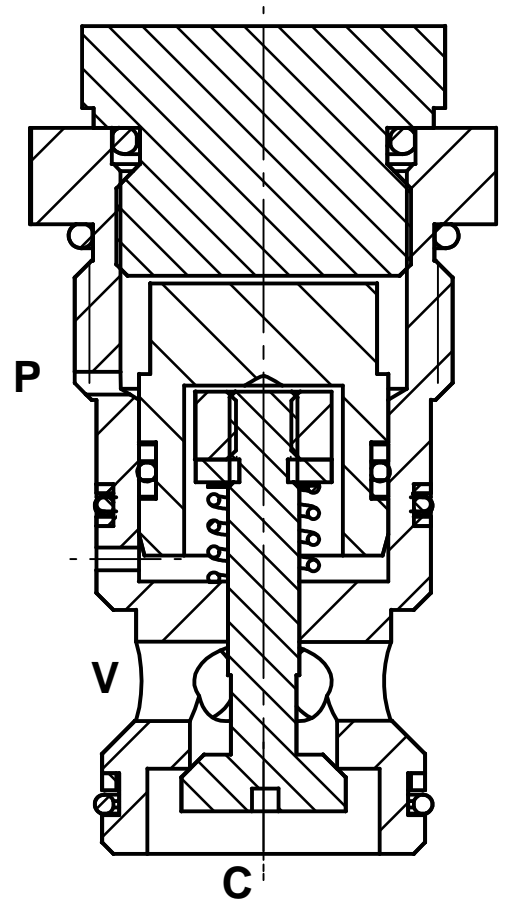
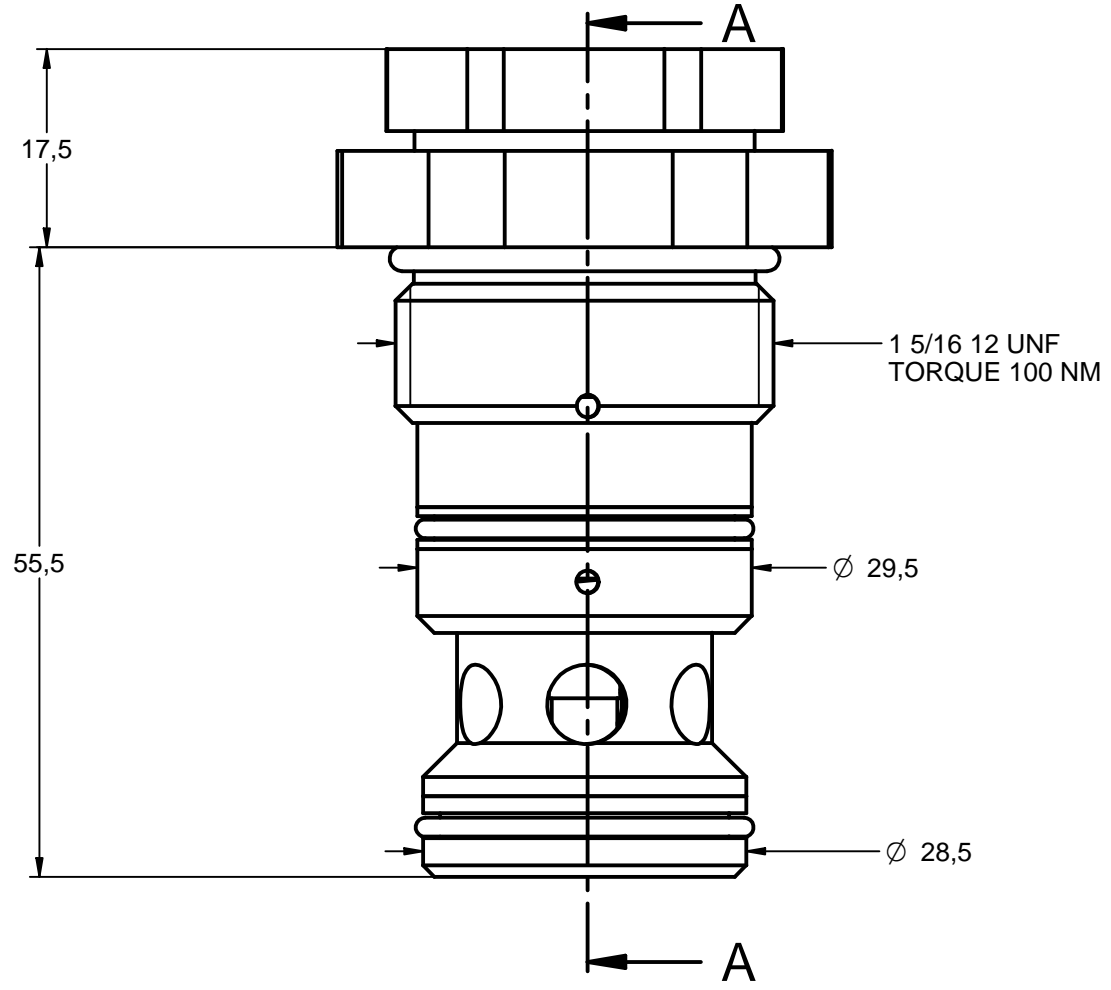
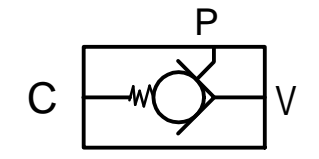


PROVISIONAL 1

FLUID POWER SYMBOL

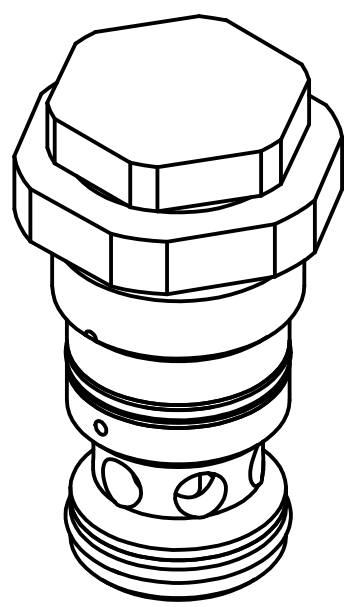


SECTION A-A

SPECIFICATION

MAX PRESSURE	250 BAR
MAX FLOW	120 LPM
PILOT RATIO	3
TEMP	80 DEG C
SEALS	NITRILE
CAVITY	A 877
TEMP	-20 TO 90 DEG C

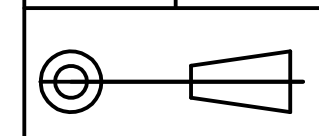
TP :
TS :



Tucson Hydrocontrols
C1B 246/5 GIDC Estate, Umbergaon
Gujarat 39 6171

DRAWN PVD CHKD RJPD
APRVD PVD DATE 04/08

DATA SHEET
PILOT CHECK
CARTRIDGE PCC16



SCALE

DATA SHEET NO **050 630**