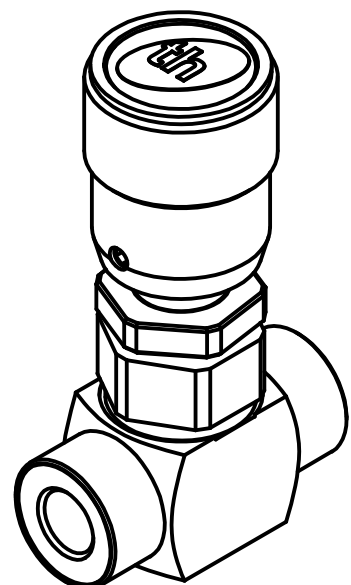


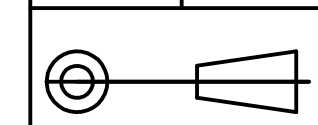
MODEL CODE	MAX PRES	G BSP	L	S	A	B	H	WT. Kg
TVF 06 10	350 BAR	1/4	12	25	55	30	90	0.5
TVF 10 10	350 BAR	3/8	12	32	70	38	105	0.6
TVF 12 10	300 BAR	1/2	14	40	80	38	112	1.5
TVF 16 10	300 BAR	3/4	19	50	100	48	134	2.5
TVF 20 10	200 BAR	1	21	63	100	48	134	3.4
TVF 30 10	200 BAR	1 1/2	24	70	108	61	185	5.0



TS017

Tucson Hydrocontrols
 C1B 246/5 GIDC Estate, Umbergaon
 Gujarat 39 6171

DRAWN PVD CHKD MJ
 APRVD PVD DATE



SCALE

DATA SHEET
 THROTTLE VALVE

DATA SHEET NO 060 100